

HUACI LEVER HANDLE



HUACI Hardware

Version: 2022.02.02

HUACI LEVER HANDLE

Stainless Steel Levers and Knobs

<p>SL101</p>	<p>SL102</p>	<p>SL103</p>	<p>SL104</p>
<p>SL105</p>	<p>SL106</p>	<p>SL107</p>	<p>SL109</p>
<p>SL110</p>	<p>SL111</p>	<p>SL112</p>	<p>SL113</p>
<p>SL114</p>	<p>SL115</p>	<p>SL116</p>	<p>SL117</p>

HUACI LEVER HANDLE

Stainless Steel Levers and Knobs

<p>SL210</p>	<p>SL211 / SL211H</p>	<p>SL214</p>	<p>SL217</p>
<p>SL221</p>	<p>SL223</p>	<p>SL225</p>	<p>SL226</p>
<p>SL227</p>	<p>SL228</p>	<p>SL243 / SL243H</p>	<p>SL244</p>
<p>SL251</p>	<p>SL255</p>	<p>SL311</p>	<p>SL344</p>

HUACI LEVER HANDLE

Stainless Steel Levers and Knobs

<p>SL345</p>	<p>SL346</p>	<p>SL351</p>	<p>SL410</p>	
<p>SL411</p>	<p>SL412</p>			
<p>SK-01</p>	<p>SK-02</p>	<p>SK-03</p>	<p>SK-04</p>	<p>SK-05</p>

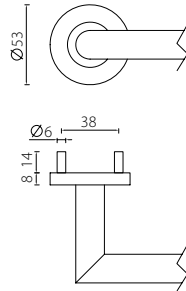
HUACI LEVER HANDLE

Stainless Steel Escutcheons and Thumb Turns



HUACI LEVER HANDLE

SR01 Door Handle Series - EN1906 Grade 4



Application

HUACI SR01 Series handle is built for high frequency usage such as public buildings and commercial offices where potential misuse or deliberate abuse likely takes place

Specifications and Features

- EN1906 Grade 4 tested and EN1634-1 fire rated
- Made of stainless steel AISI304 (AISI316 is available on request)
- Built with robust spring mechanism
- Concealed screw fixing
- Inner rose indentation to secure the rose cover with a "clean" look on handle
- Hexagonal countersunk and fixing lugs to assist thru-bolt fixing
- Architectural look achieved by minimum edge radius on rose cover



Tests and Standards



Successfully type-tested for conformity to all of the requirements of EN1906: 2010 (including 240-hours of corrosion resistance requirement of EN1670:2007)



Successfully passed 240-minutes fire test of metal door assemblies to EN1634-1:2014



All tests performed independently and certified by Exova/Warringtonfire/Warrington APT. Test reports and/or certificates are available on request

Finishes

- Satin Stainless Steel (US32D/630)
- Polished Stainless Steel (US32/629)
- Satin PVD Titanium
- Bright PVD Titanium

*Other finishes available on request

Escutcheon Options



Blind



Euro Cylinder



Privacy Thumb Turn and Release Set

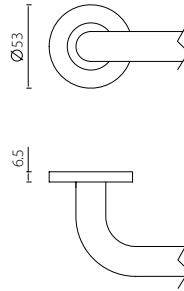


EN1906: 2010 Classifications

4	7	-	1	1	4	0	B
---	---	---	---	---	---	---	---

HUACI LEVER HANDLE

SR02 Door Handle Series - EN1906 Grade 3



Application

HUACI SR02 Series handle is built with optimized design for interior and exterior doors suitable for most commercial applications where frequent usage presents

Specifications and Features

- EN1906 Grade 3 tested and EN1634-1 fire rated
- Made of stainless steel AISI304 (AISI316 available on request)
- 6.5mm rose design to preserve the minimum height with spring mechanism
- Concealed screw fixing
- Inner rose indentation to secure the rose cover with a "clean" look on handle
- Hexagonal countersunk to assist thru-bolt fixing
- Architectural look achieved by minimum edge radius on rose cover



Tests and Standards



Successfully type-tested for conformity to all of the requirements of EN1906: 2010 (including 240-hours of corrosion resistance requirement of EN1670:2007)



Successfully passed 240-minutes fire test of metal door assemblies to EN1634-1:2014



All tests performed independently and certified by Exova/Warringtonfire/Warrington APT. Test reports and/or certificates are available on request

Finishes

- Satin Stainless Steel (US32D/630)
- Polished Stainless Steel (US32/629)
- Satin PVD Titanium
- Bright PVD Titanium

*Other finishes available on request

Escutcheon Options



Blind



Euro Cylinder



Privacy Thumb Turn and Release Set

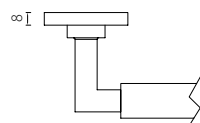
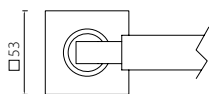
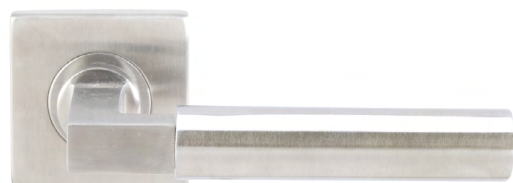


EN1906: 2010 Classifications

3	7	-	1	1	4	0	B
---	---	---	---	---	---	---	---

HUACI LEVER HANDLE

SR10 Door Handle Series



Application

HUACI SR10 Series handle is built with contemporary square rose design for interior doors suitable for commercial and residential applications

Specifications and Features

- EN1906 Grade 3 tested and EN1634-1 fire rated
- Made of stainless steel AISI304
- Concealed fixing on both sides of handle preserving a consistent and elegant appearance
- Square inner rose design giving better assistance of rose installation alignment
- Inner rose indentation to secure rose cover with a "clean" and architectural look
- Suitable for retrofitting with existing door prep



Tests and Standards



Successfully type-tested for conformity to all of the requirements of EN1906: 2010 (including 240-hours of corrosion resistance requirement of EN1670:2007)



Successfully passed 240-minutes fire test of metal door assemblies to EN1634-1:2014



All tests performed independently and certified by Exova/Warringtonfire/Warrington APT. Test reports and/or certificates are available on request

EN1906: 2010 Classifications

3	7	-	1	1	4	0	B
---	---	---	---	---	---	---	---

Finishes

- Satin Stainless Steel (US32D/630)
- Polished Stainless Steel (US32/629)
- Satin PVD Titanium
- Bright PVD Titanium

*Other finishes available on request

Escutcheon Options



Blind



Euro Cylinder

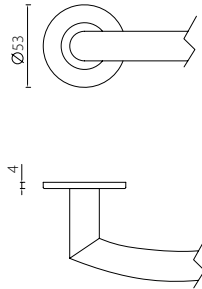


Privacy Thumb Turn and Release Set



HUACI LEVER HANDLE

SR04 Door Handle Series



Application

HUACI SR04 Series handle is built with minimalistic rose design for interior doors suitable for commercial and residential applications

Specifications and Features

- EN1906 Grade 3 tested and EN1634-1 fire rated
- Made of stainless steel AISI304
- 4mm Un-Sprung rose design to present practical simplicity
- Concealed fixing
- Hexagonal countersunk to assist thru-bolt fixing
- Architectural look achieved by minimum rose height
- Fitted perfectly with HUACI ML1072/ML1085 series mortice lock for a firm lever action



Tests and Standards



Successfully type-tested for conformity to all of the requirements of EN1906: 2010 (including 240-hours of corrosion resistance requirement of EN1670:2007)



Successfully passed 240-minutes fire test of metal door assemblies to EN1634-1:2014



All tests performed independently and certified by Exova/Warringtonfire/Warrington APT. Test reports and/or certificates are available on request

Finishes

- Satin Stainless Steel (US32D/630)
- Polished Stainless Steel (US32/629)
- Satin PVD Titanium
- Bright PVD Titanium

*Other finishes available on request

Escutcheon Options



Blind

Euro Cylinder

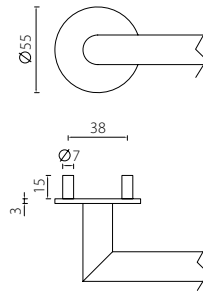
Privacy Thumb Turn and Release Set

EN1906: 2010 Classifications

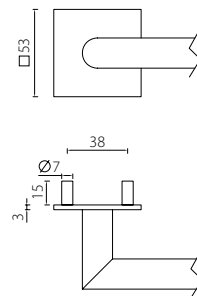
3	7	-	1	1	4	0	B
---	---	---	---	---	---	---	---

HUACI LEVER HANDLE

SR05 Door Handle Series – Magnetic Round Rose



SR15 Door Handle Series – Magnetic Square Rose

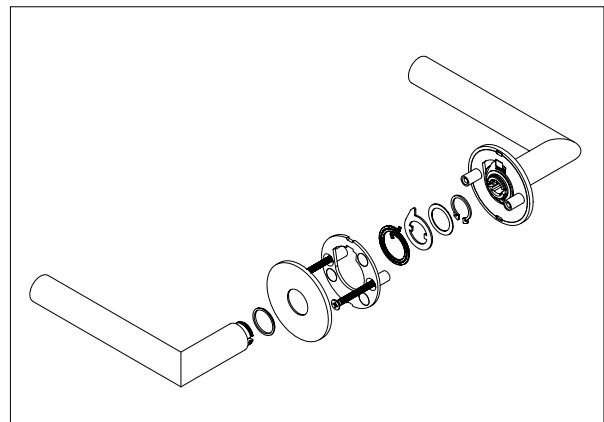


Application

It is designed for modern door requiring a minimalistic door handle appearance

Specifications and Features

- Made of stainless steel AISI304 (AISI316 is available on request)
- 3mm thickness spring assist rose cover design
- SS430 stainless steel cover with magnetic property
- Inner rose built with magnets to fit with the cover
- Available in both round and square rose design
- Standard Finish in Satin Stainless Steel (Other finish available on request)



Finishes

- Satin Stainless Steel (US32D/630)
- Polished Stainless Steel (US32/629)
- Satin PVD Titanium
- Bright PVD Titanium

*Other finishes available on request

Escutcheon Options



Blind

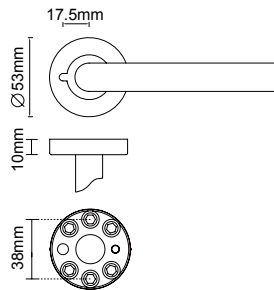
Euro Cylinder

Blind

Euro Cylinder

HUACI LEVER HANDLE

SR08 Door Handle Series – Tubular Latchset on Round Rose



Application

For residential interior doors with passage, privacy, or dummy application

Specifications and Features

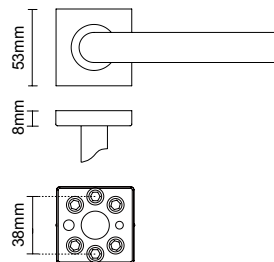
- Made of Stainless Steel AISI304 (AISI316 is available on request)
- D53mm round rose design
- Designed to use with **HUACI** Y RTL30 Series Tubular Latch
- Cover Rose can be used with privacy or passage function
- Based rose with multiple hole position for easy installation
- Special spring assisted spindle for easy and reliable function

Finishes

- Satin Stainless Steel (US32D/630)
- Polished Stainless Steel (US32/629)
- Satin PVD Titanium
- Bright PVD Titanium

*Other finishes available on request

SR18 Door Handle Series – Tubular Latchset on Square Rose



Application

For residential interior doors with passage, privacy, or dummy application

Specifications and Features

- Made of Stainless Steel AISI304 (AISI316 is available on request)
- 53 x 53mm square rose design with square inner rose
- Designed to use with **HUACI** RTL30 Series Tubular Latch
- Cover Rose can be used with privacy or passage function
- Based rose with multiple hole position for easy installation
- Special spring assisted spindle for easy and reliable function

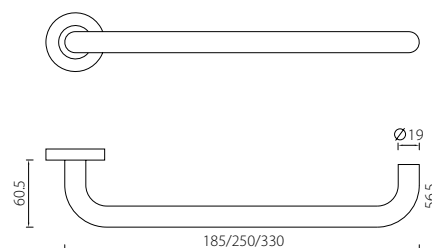
Finishes

- Satin Stainless Steel (US32D/630)
- Polished Stainless Steel (US32/629)
- Satin PVD Titanium
- Bright PVD Titanium

*Other finishes available on request

HUACI LEVER HANDLE

SR02 Door Handle Series – Handicap Handle



Application

It is designed for hospital and healthcare facilities to assist ease of door opening

Specifications and Features

- Made of stainless steel AISI304 (AISI316 is available on request)
- Rose design suitable for most of the European mortice lock
- U-shape return to door lever design applicable to commercial usage
- Concealed screw fixing
- Hexagonal countersunk and fixing lugs to assist thru-bolt fixing
- Robust spring mechanism to assist lever torque force
- Strong under-construction build to protect the mortice lock in application
- Available in 185 / 250 / 330mm length version
- Standard Finish in Satin Stainless Steel (Other finish available on request)



Available Models

- SR02SL901: 185mm length version
- SR02SL902: 250mm length version
- SR02SL903: 330mm length version

Tests and Standards



Successfully type-tested for conformity to all of the requirements of EN1906: 2010 (including 240-hours of corrosion resistance requirement of EN1670:2007)



Successfully passed 240-minutes fire test of metal door assemblies to EN1634-1:2014



All tests performed independently and certified by Exova/Warringtonfire/Warrington APT. Test reports and/or certificates are available on request

EN1906: 2010 Classifications

3	7	-	1	1	4	0	B
---	---	---	---	---	---	---	---

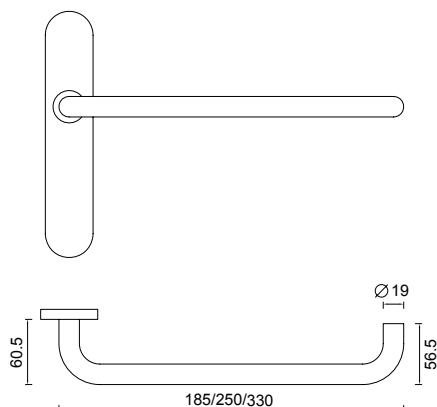
Finishes

- Satin Stainless Steel (US32D/630)
- Polished Stainless Steel (US32/629)
- Satin PVD Titanium
- Bright PVD Titanium

*Other finishes available on request

HUACI LEVER HANDLE

SP07 Door Handle Series – Handicap Handle



Application

It is designed for hospital and healthcare facilities to assist ease of door opening

Specifications and Features

- Made of stainless steel AISI304 (AISI316 is available on request)
- Plate design suitable for most of the European mortice lock
- U-shape return to door lever design applicable to commercial usage
- Concealed screw fixing
- Hexagonal countersunk and fixing lugs to assist thru-bolt fixing
- Robust spring mechanism to assist lever torque force
- Strong under-construction build to protect the mortice lock in application
- Available in 185 / 250 / 330mm length version
- Standard Finish in Satin Stainless Steel (Other finish available on request)



Tests and Standards



Successfully type-tested for conformity to all of the requirements of EN1906: 2010 (including 240-hours of corrosion resistance requirement of EN1670:2007)



Successfully passed 240-minutes fire test of metal door assemblies to EN1634-1:2014



All tests performed independently and certified by Exova/Warringtonfire/Warrington APT. Test reports and/or certificates are available on request

Available Models

- SR02SL901: 185mm length version
- SR02SL902: 250mm length version
- SR02SL903: 330mm length version

EN1906: 2010 Classifications

3	7	-	1	1	4	0	B
---	---	---	---	---	---	---	---

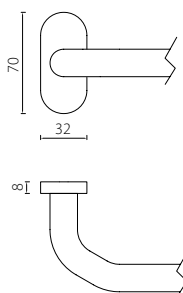
Finishes

- Satin Stainless Steel (US32D/630)
- Polished Stainless Steel (US32/629)
- Satin PVD Titanium
- Bright PVD Titanium

*Other finishes available on request

HUACI LEVER HANDLE

SR03 Door Handle Series – Profile Door



Application

HUACI SR03 Series handle is an oval rose design suited for narrow stile door

Specifications and Features

- Double action spring loaded rose design (Upward or downward operation)
- Concealed fixing
- Hexagonal countersunk to assist thru bolt fixing
- Successfully type-tested for conformity to all of the requirements of EN1906: 2010 (including 240-hours of corrosion resistance requirement of EN1670:2007)
- Standard Finish: Satin Stainless Steel (Other finish available on request)



Tests and Standards



Successfully type-tested for conformity to all of the requirements of EN1906: 2010 (including 240-hours of corrosion resistance requirement of EN1670:2007)



Successfully passed 240-minutes fire test of metal door assemblies to EN1634-1:2014



All tests performed independently and certified by Exova/Warringtonfire/Warrington APT. Test reports and/or certificates are available on request

Escutcheon Options



Blind



Euro Cylinder

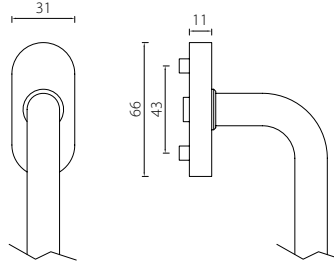
Finishes

- Satin Stainless Steel (US32D/630)
- Polished Stainless Steel (US32/629)
- Satin PVD Titanium
- Bright PVD Titanium

*Other finishes available on request

HUACI LEVER HANDLE

Window Handle Series



SR30 Window Handle Series

Application

It is designed for modern door requiring a minimalistic door handle appearance

Specifications and Features

- Zinc Cast base for durable performance
- Ball bearing loaded 4-point stop design for wide window application
- Concealed fixing
- Spindle drive mechanism

SR31 Window Handle Series

Application

It is designed for modern door requiring a minimalistic door handle appearance

Specifications and Features

- Plastic base rose design
- 4-point stop design for wide window application
- Concealed fixing
- Spindle drive mechanism

Finishes

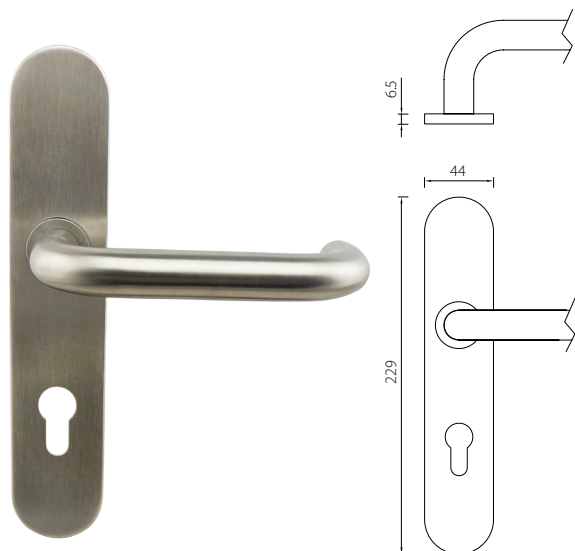
- Satin Stainless Steel (US32D/630)
- Polished Stainless Steel (US32/629)
- Satin PVD Titanium
- Bright PVD Titanium

*Other finishes available on request



HUACI LEVER HANDLE

SP07 Door Handle Series



Application

HUACI SP07 Series handle is built with long size plate design for commercial and residential application

Specifications and Features

- EN1906 Grade 3 tested and EN1634-1 fire rated
- Made of stainless steel AISI304
- Concealed fixing
- Loaded with spring mechanism
- Compatible with both 72mm and 85mm center mortice locks and perfectly fitted with **HUACI ML10/ML20** series mortice lock
- Hexagonal countersunk to assist thru-bolt fixing
- Good for retrofitting (to cover unwanted screw

Tests and Standards

positions) Successfully type-tested for conformity to all of the requirements of EN1906: 2010 (including 240-hours of corrosion resistance requirement of EN1670:2007)



Successfully passed 240-minutes fire test of metal door assemblies to EN1634-1:2014



All tests performed independently and certified by Exova/Warringtonfire/Warrington APT. Test reports and/or certificates are available on request

EN1906: 2010 Classifications

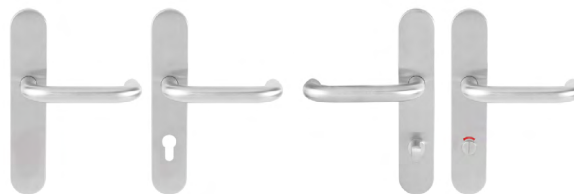
3	7	-	1	1	4	0	B
---	---	---	---	---	---	---	---

Finishes

- Satin Stainless Steel (US32D/630)
- Polished Stainless Steel (US32/629)
- Satin PVD Titanium
- Bright PVD Titanium

*Other finishes available on request

Escutcheon Options



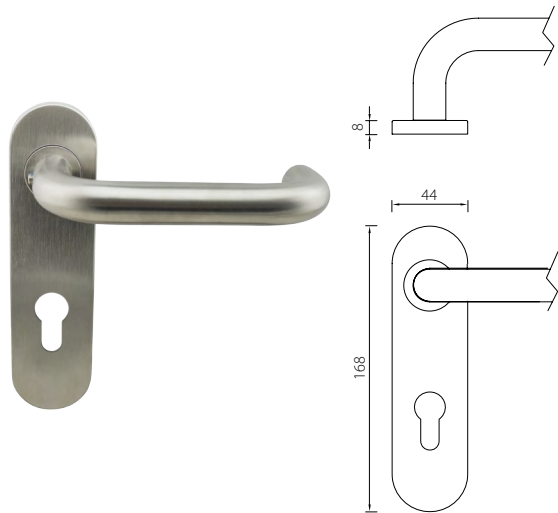
Blind

Euro Cylinder

Privacy Thumb Turn and Release Set

HUACI LEVER HANDLE

SP09 Door Handle Series



Application

HUACI SP09 Series handle is built with medium size plate design for commercial and residential application

Specifications and Features

- EN1906 Grade 3 tested and EN1634-1 fire rated
- Made of stainless steel AISI304
- Concealed fixing
- Loaded with spring mechanism
- Compatible with both 72mm center mortice locks and perfectly fitted with **HUACI ML10/ML20** series mortice lock
- Hexagonal countersunk to assist thru-bolt fixing
- Good for retrofitting with current fire rated door handle

Tests and Standards



Successfully type-tested for conformity to all of the requirements of EN1906: 2010 (including 240-hours of corrosion resistance requirement of EN1670:2007)



Successfully passed 240-minutes fire test of metal door assemblies to EN1634-1:2014



All tests performed independently and certified by Exova/Warringtonfire/Warrington APT. Test reports and/or certificates are available on request

EN1906: 2010 Classifications

3	7	-	1	1	4	0	B
---	---	---	---	---	---	---	---



Finishes

- Satin Stainless Steel (US32D/630)
- Polished Stainless Steel (US32/629)
- Satin PVD Titanium
- Bright PVD Titanium

*Other finishes available on request

Escutcheon Options



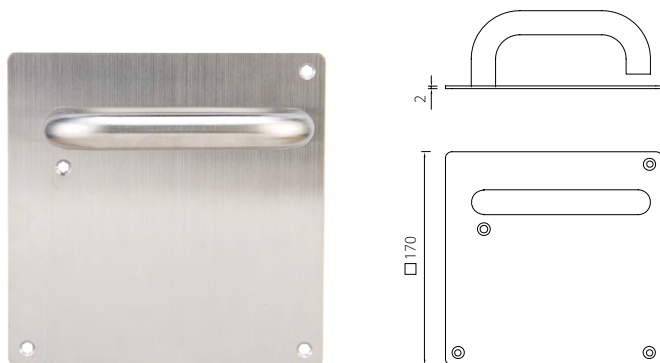
Blind

Euro Cylinder

Privacy Thumb Turn and Release Set

HUACI LEVER HANDLE

SP14 Door handle Series



Application

HUACI SP14 Series handle is designed for commercial application such as hospitals where frequent usage presents

Specifications and Features

- EN1906 Grade 3 tested and EN1634-1 fire rated
- Made of stainless steel AISI304
- Reliable 4 position fixing with under lever fixing position designed to go through most popular DIN/EN standard mortice lock case
- Un-Sprung design

Tests and Standards



Successfully type-tested for conformity to all of the requirements of EN1906: 2010 (including 240-hours of corrosion resistance requirement of EN1670:2007)



Successfully passed 240-minutes fire test of metal door assemblies to EN1634-1:2014



All tests performed independently and certified by Exova/Warringtonfire/Warrington APT. Test reports and/or certificates are available on request

EN1906: 2010 Classifications

3	7	-	1	1	4	0	B
---	---	---	---	---	---	---	---

Finishes

- Satin Stainless Steel (US32D/630)
- Polished Stainless Steel (US32/629)
- Satin PVD Titanium
- Bright PVD Titanium

*Other finishes available on request

Escutcheon Options



Blind



Euro Cylinder

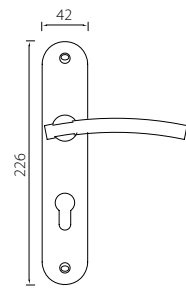
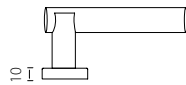


Privacy Thumb Turn and Release Set

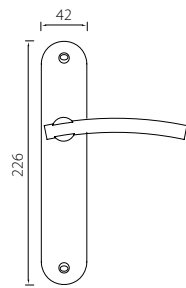


HUACI LEVER HANDLE

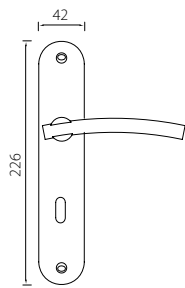
SP13 Door handle Series



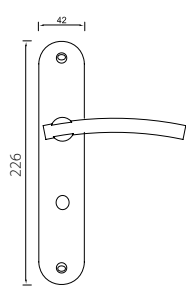
Cylinder (CYL)



Blind (BDC)

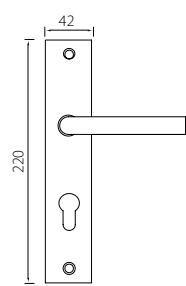
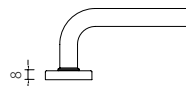


Key (BS)

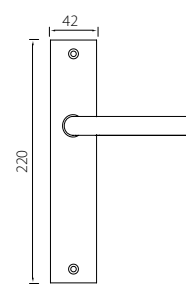


WC (CDT)

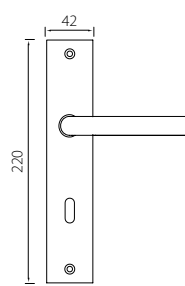
SP16 Long Plate handle Series



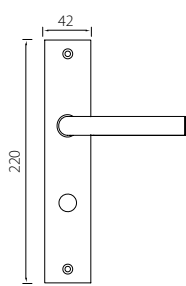
Cylinder (CYL)



Blind (BDC)



Key (BS)



WC (CDT)

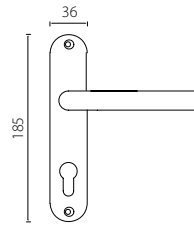
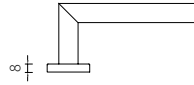
Specifications and Features

- Face fixing non handed installation
- Spring loaded plated design
- Suited for 70 – 85mm mortice lock centers and retrofit with most of the French plate handle of 195mm fixing centers
- Standard finish in Satin Stainless Steel

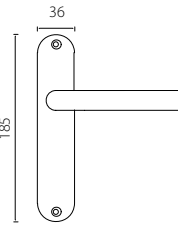


HUACI LEVER HANDLE

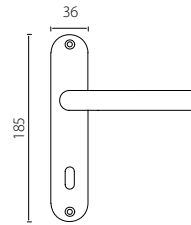
SP15 Door handle Series



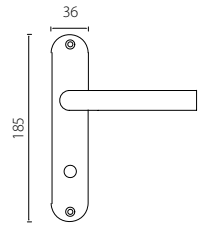
Cylinder (CYL)



Blind (BDC)



Key (BS)



WC (CDT)

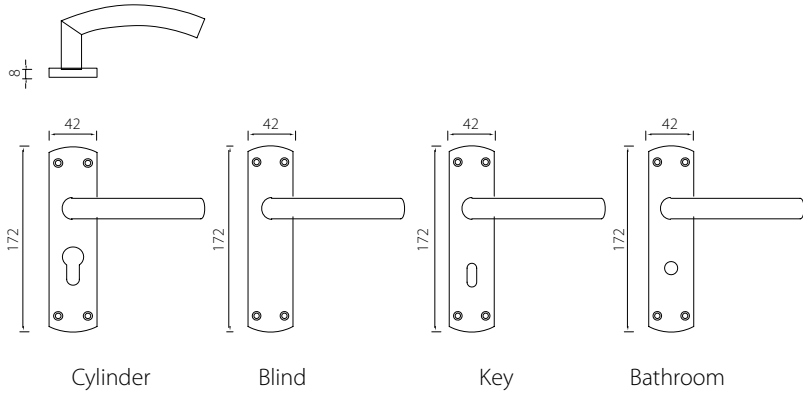
Specifications and Features

- Face fixing non handed installation
- Spring loaded or Unsprung plated design
- Suited for 70 mortice lock centers and retrofit with most of the French plate handle of 165mm fixing centers
- Standard finish in Satin Stainless Steel



HUACI LEVER HANDLE

SP12 Door Handle Series



Specifications and Features

- Face fixing non handed installation
- Spring loaded plated design
- Suited for UK size lever lock centers

Finishes

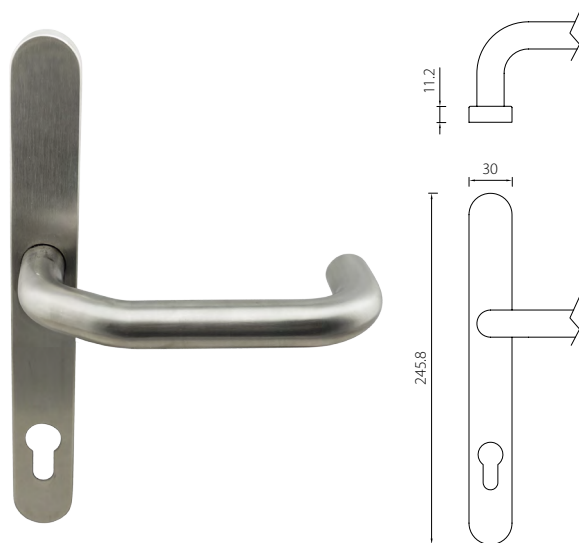
- Satin Stainless Steel (US32D/630)
- Polished Stainless Steel (US32/629)
- Satin PVD Titanium
- Bright PVD Titanium

*Other finishes available on request



HUACI LEVER HANDLE

SP03 Door Handle Series – Profile Door



Application

HUACI SP03 handle series is a narrow plate design for profile door

Specifications and Features

- Spring loaded plate design
- Concealed fixing
- Hexagonal countersunk to assist thru bolt fixing
- Suitable for most of the European mortice lock
- Multiple thru fixing bolt hole position
- Successfully type-tested for conformity to all of the requirements of EN1906: 2010 (including 240-hours of corrosion resistance requirement of EN1670:2007)

EN1906: 2010 Classifications

3	7	-	1	1	4	0	B
---	---	---	---	---	---	---	---

Finishes

- Satin Stainless Steel (US32D/630)
- Polished Stainless Steel (US32/629)
- Satin PVD Titanium
- Bright PVD Titanium

*Other finishes available on request

Tests and Standards



Successfully type-tested for conformity to all of the requirements of EN1906: 2010 (including 240-hours of corrosion resistance requirement of EN1670:2007)



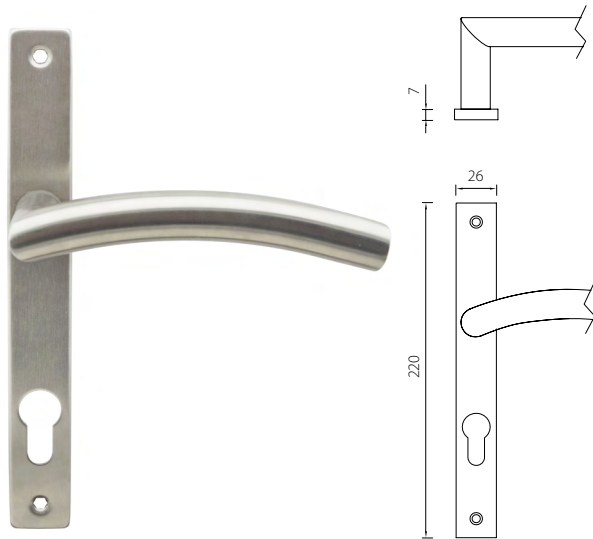
Successfully passed 240-minutes fire test of metal door assemblies to EN1634-1:2014



All tests performed independently and certified by Exova/Warringtonfire/Warrington APT. Test reports and/or certificates are available on request

HUACI LEVER HANDLE

SP04 Door Handle Series – Profile Door



Application

HUACI SP04 Series handle is a very narrow plate design for slim profile door

Specifications and Features

- Face fix design
- Spring loaded plate design
- for most of the European mortice lock (70/72/85/90/92mm centers)
- Successfully type-tested for conformity to all of the requirements of EN1906: 2010 (including 240-hours of corrosion resistance requirement of EN1670:2007)

Finishes

- Satin Stainless Steel (US32D/630)
- Polished Stainless Steel (US32/629)
- Satin PVD Titanium
- Bright PVD Titanium

*Other finishes available on request



HUACI

HUACI Hardware Factory, Liansheng South Rd, Liangfeng Industrial
Zone, Xiaolan, Zhongshan, 528416, , P.R. CHINA
WhatsApp:+86-189 7534 8534
Website: <http://www.huacihardware.com>,
Email: sales@huacihardware.com