

HUACI MORTICE LOCK



HUACI Hardware

Version: 2022.02.02

HUACI MORTICE LOCK

Mortice Lock ML1072 Series

Application

HUACI ML1072 Series Mortice Lock is designed for high frequency usage applications such as public access buildings where deliberate abuse likely takes place

Specifications and Features

- Modular case across functions for rapid door prepping and installation
- 72mm centers, backset in 50/55/60/65mm
- 8mm follower with spindle gripping function
- Reversible latchbolt in solid stainless steel
- Double throw deadbolt in solid stainless steel with 20mm projection
- Suitable for sprung and most un-sprung lever furniture
- Stainless steel faceplate and strike in square and radius version (radius version improves door prep efficiency with machine routing)
- Compatible with bolt through furniture and escutcheons of 38mm centers

Standards and Certification



Successfully type-tested for conformity to all of requirement of EN12209: 2003



Successfully passed and exceeded 240-minutes fire test of metal fire door assemblies to EN1634-1: 2014



CE Declaration of Conformity available upon request



Meets the dimensional recommendations of BS8300 and Approved Document "M"



HUACI ML1072 series locks are approved by Certifire.* Certifire No. CF5333



All EN/CE/Certifire tests performed independently and certified by Exova/ Warrington Fire/Warrington APT. Test report/ certificate are available upon request.

* Certifire is an independent third party certification scheme that assures performance, quality and traceability of fire protection products



Forend and Strike Finishes

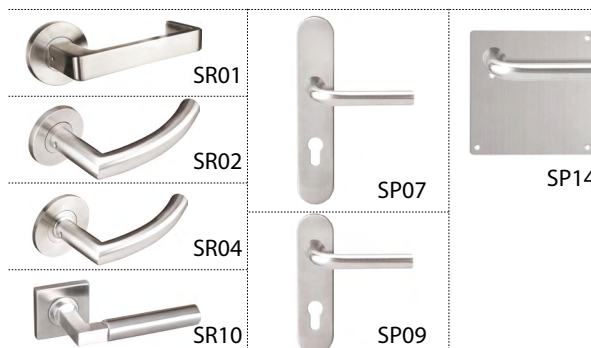


Satin

Matching finish on latchbolt and deadbolt

*Other finishes available upon request

Trim Options:



Lever Options

Suitable with any HUACI lever design

* Please refer to HUACI Lever Handle catalogue for more detail on Lever and Trim options

HUACI MORTICE LOCK

Mortice Lock ML1072 Series Available Functions

ML107201

Function

Sashlock/Entry

Application

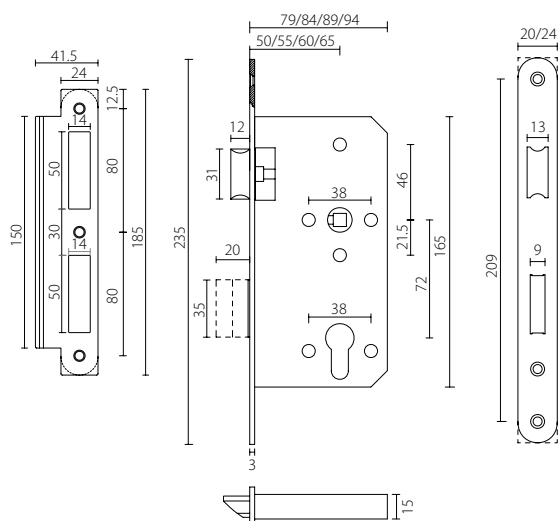
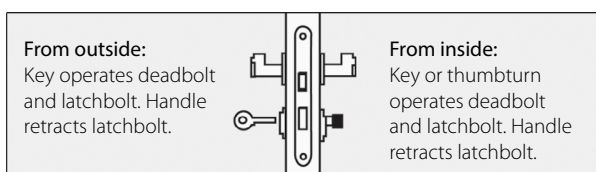
Suitable for latched doors requiring deadbolt locking security.

EN12209:2003 Classification

3	X	8	1	0	G	3	B	C	2	0
---	---	---	---	---	---	---	---	---	---	---



Illustration



ML107202

Function

Latch/Passage

Application

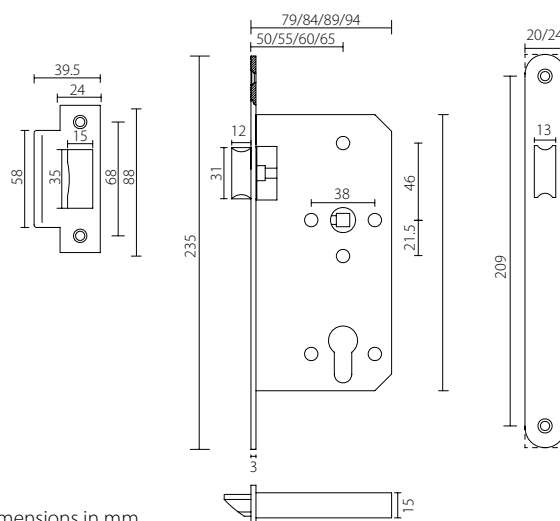
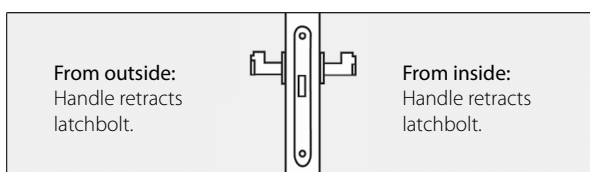
Suitable for latched doors remaining unlocked at all times.

EN12209:2003 Classification

3	X	8	1	0	G	-	B	0	2	0
---	---	---	---	---	---	---	---	---	---	---



Illustration



* Dimensions in mm

HUACI MORTICE LOCK

Mortice Lock ML1072 Series Available Functions

ML107203

Function

Deadlock/Communicating

Application

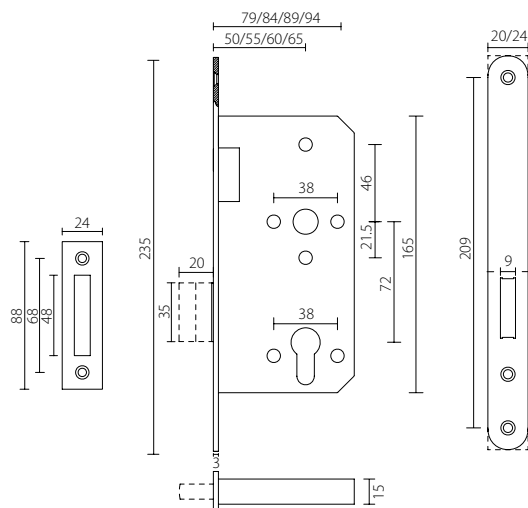
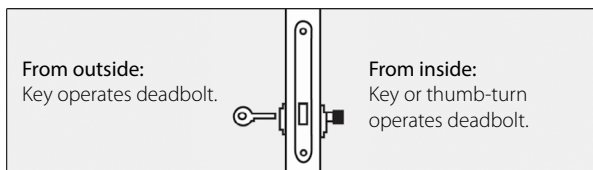
Suitable for unlatched doors with deadbolt locking security.

EN12209:2003 Classification

3	X	8	1	0	G	3	B	C	0	0
---	---	---	---	---	---	---	---	---	---	---



Illustration



ML107205

Function

Bathroom/Privacy

Application

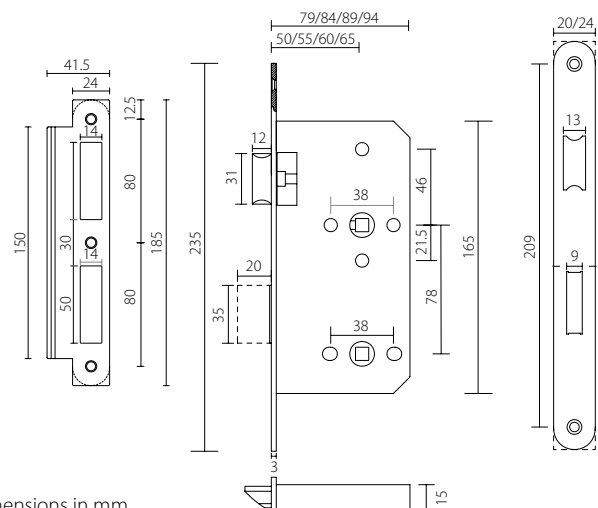
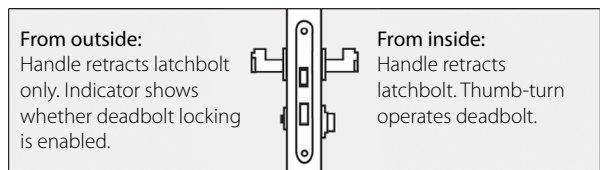
Suitable for bathroom door with deadbolt locking privacy. Emergency unlocking provided by coin release slot.

EN12209:2003 Classification

3	X	8	1	0	G	-	B	0	2	0
---	---	---	---	---	---	---	---	---	---	---



Illustration



* Dimensions in mm

HUACI MORTICE LOCK

Mortice Lock ML1072 Series Available Functions

ML107204

Function

Nightlatch/Storeroom

Application

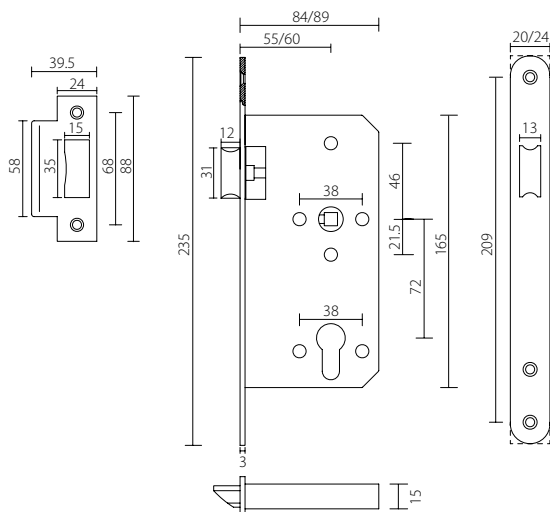
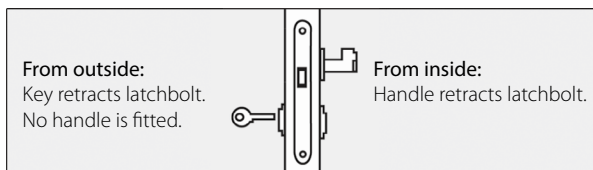
Suitable for latched door with cylinder key operated access from outside and handle access from inside.

EN12209:2003 Classification

3	X	8	1	0	G	-	B	0	2	0
---	---	---	---	---	---	---	---	---	---	---



Illustration



ML107206

Function

Emergency/Escape Entry

Application

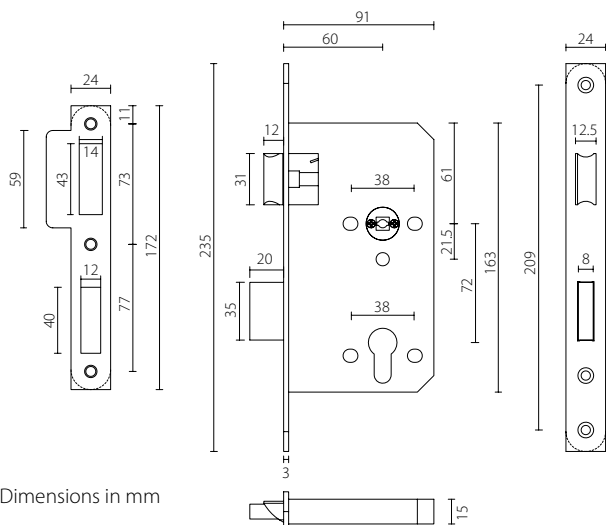
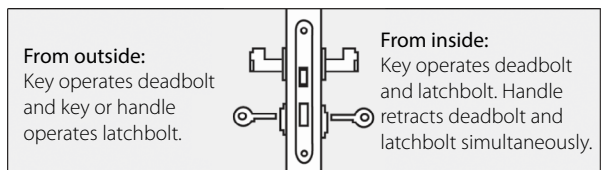
Suitable for escape doors requiring deadbolt locking security from outside, single lever action unlocking and door opening from inside.

EN12209:2003 Classification

3	X	8	1	0	G	3	B	C	2	0
---	---	---	---	---	---	---	---	---	---	---



Illustration



* Dimensions in mm

HUACI MORTICE LOCK

Mortice Lock ML1072 Series Available Functions

ML107207

Function

Roller Latch (Adjustable)

Application

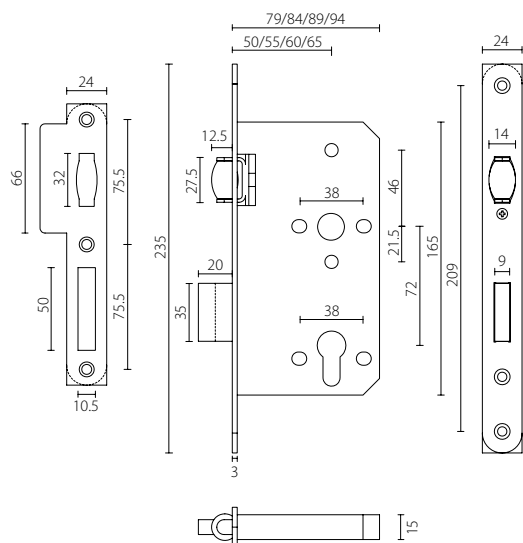
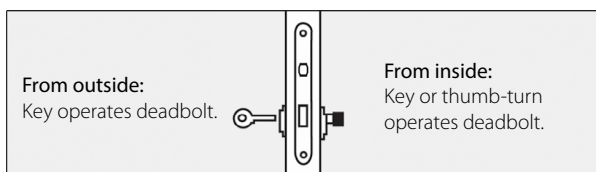
Suitable for doors requiring roller bolt latching. Security provided by deadbolt locking.

Classification

3	X	8	1	0	G	3	B	C	0	0
---	---	---	---	---	---	---	---	---	---	---



Illustration



ML107208

Function

Classroom

Application

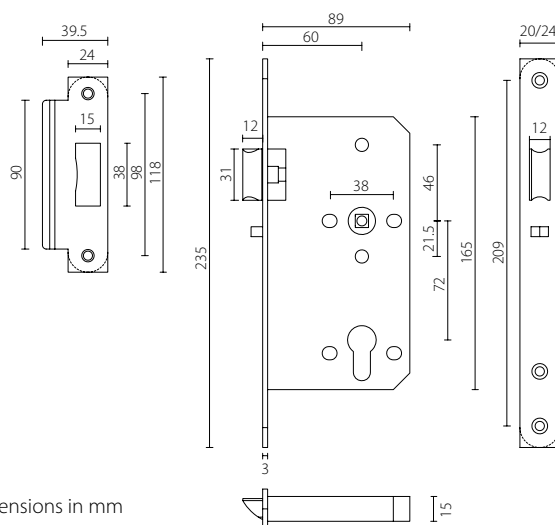
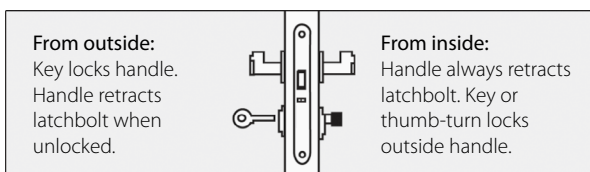
Suitable for doors with security provided by cylinder key locking outside handle. Inside handle always unlocks and opens door.

EN12209:2003 Classification

3	X	8	1	0	G	-	B	0	2	0
---	---	---	---	---	---	---	---	---	---	---



Illustration



* Dimensions in mm

HUACI MORTICE LOCK

Mortice Lock ML1072 Series Available Functions

ML107209

Function

Anti-thrust Nightlatch

Application

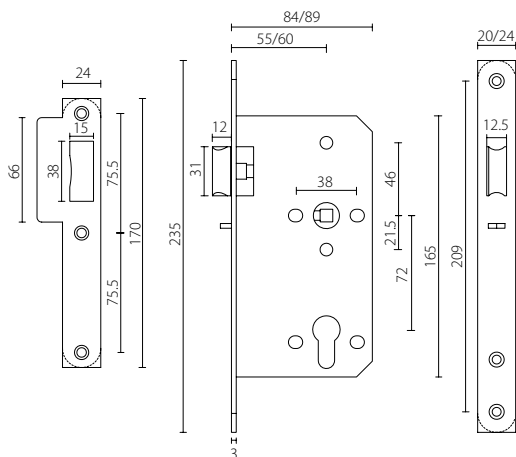
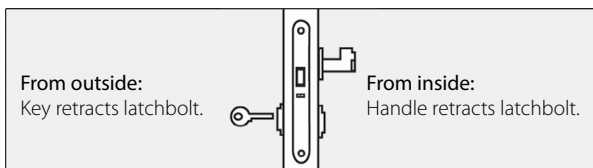
Suitable for doors requiring simple security by blocked latchbolt. Escape option provided by single lever action from inside.

EN12209: 2003 Classification

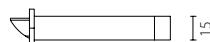
3	X	8	1	0	G	-	B	0	2	0
---	---	---	---	---	---	---	---	---	---	---



Illustration



* Dimensions in mm



HUACI MORTICE LOCK

Mortice Lock ML1072 Series Available Functions

ML107201
Sashlock/Entry
72mm Center



50mm Backset: ML107201-50
55mm Backset: ML107201-55
60mm Backset: ML107201-60
65mm Backset: ML107201-65

ML107202
Latch/Passage
72mm Center



50mm Backset: ML107202-50
55mm Backset: ML107202-55
60mm Backset: ML107202-60
65mm Backset: ML107202-65

ML107203
Deadlock/
Communicating
72mm Center



50mm Backset: ML107203-50
55mm Backset: ML107203-55
60mm Backset: ML107203-60
65mm Backset: ML107203-65

ML107205
Bathroom/Privacy
78mm Center



50mm Backset: ML107205-50
55mm Backset: ML107205-55
60mm Backset: ML107205-60
65mm Backset: ML107205-65

ML107204
Nightlatch/
Storeroom
72mm Center



55mm Backset: ML107204-55
60mm Backset: ML107204-60

ML107206
Emergency/
Escape Entry
72mm Center



60mm Backset: ML107206-60

ML107207
Roller Latch
72mm Center



55mm Backset: ML107207-55
60mm Backset: ML107207-60
65mm Backset: ML107207-65

ML107208
Classroom
72mm Center



55mm Backset: ML107208-55
60mm Backset: ML107208-60

ML107209
Anti-thrust
Nightlatch
72mm Center



55mm Backset: ML107209-55
60mm Backset: ML107209-60

HUACI MORTICE LOCK

Mortice Lock ML1085 Series

Application

HUACI ML1085 Series Mortice Lock is designed for high frequency usage applications such as public access buildings where deliberate abuse likely takes place

Specifications and Features

- Modular case across functions for rapid door prepping and installation
- 85mm centers, backset in 40/45/50/60mm
- 8mm follower with spindle gripping function
- Reversible latchbolt in solid stainless steel
- Double throw deadbolt in solid stainless steel with 20mm projection
- Suitable for sprung and most un-sprung lever furniture
- Stainless steel faceplate and strike in square and radius version (radius version improves door prep efficiency with machine routing)
- Compatible with bolt through furniture and escutcheons of 38mm centers

Standards and Certification



Successfully type-tested for conformity to all of requirements of EN12209: 2003



Successfully passed and exceeded 240-minutes fire test of metal fire door assemblies to EN1634-1: 2014



CE Declaration of Conformity available upon request



Meets the dimensional recommendations of BS8300 and Approved Document "M"



HUACI ML1085 series locks are approved by Certifire.* Certifire No. CF5333



All EN/CE/Certifire tests performed independently and certified by Exova/ Warrington Fire/Warrington APT. Test report/ certificate are available upon request.

* Certifire is an independent third party certification scheme that assures performance, quality and traceability of fire protection products



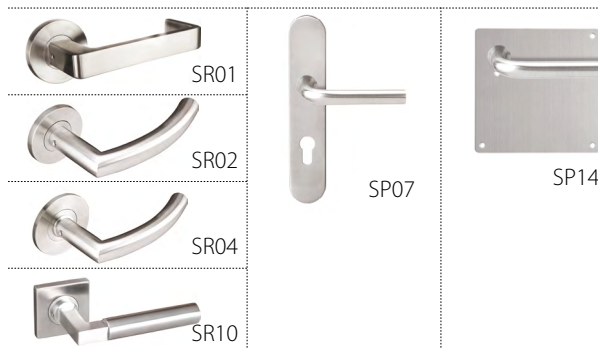
Forend and Strike Finishes



Satin

Matching finish on latchbolt and deadbolt
*Other finishes supplied upon request

Trim Options



Lever Options

Suitable with any HUACI lever design

* Please refer to HUACI Lever Handle catalogue for more details on Lever and Trim options

HUACI MORTICE LOCK

Mortice Lock ML1085 Series Available Functions

ML108501

Function

Sashlock/Entry

Application

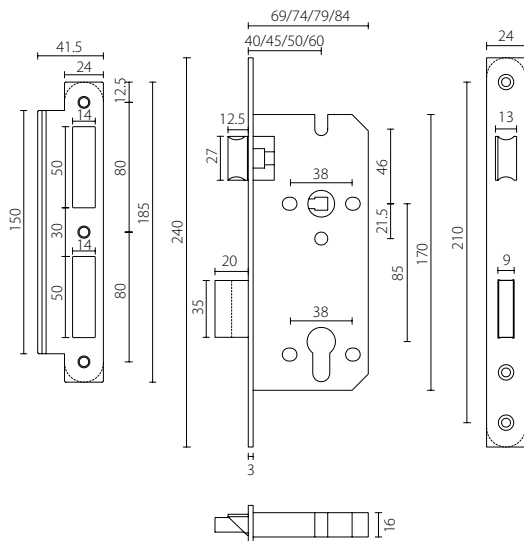
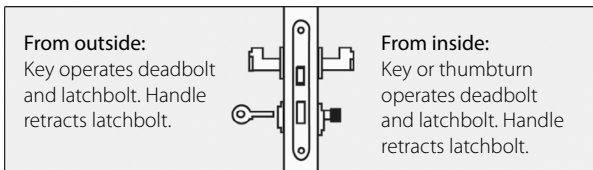
Suitable for latched doors requiring deadbolt locking security.

EN12209:2003 Classification

3	X	8	1	0	G	3	B	C	2	0
---	---	---	---	---	---	---	---	---	---	---



Illustration



ML108502

Function

Latch/Passage

Application

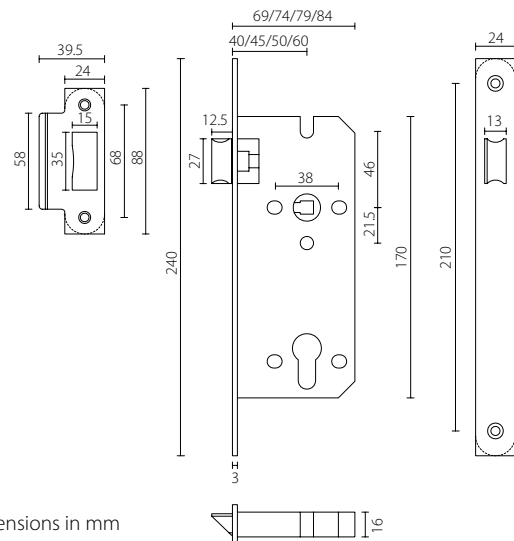
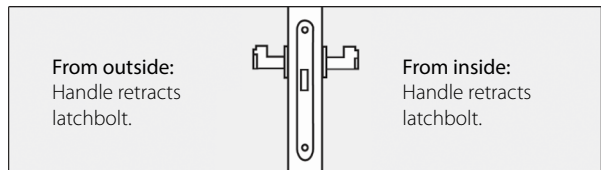
Suitable for latched doors remaining unlocked at all time.

EN12209:2003 Classification

3	X	8	1	0	G	-	B	0	2	0
---	---	---	---	---	---	---	---	---	---	---



Illustration



* Dimensions in mm

HUACI MORTICE LOCK

Mortice Lock ML1085 Series Available Functions

ML108503

Function

Deadlock/Communicating

Application

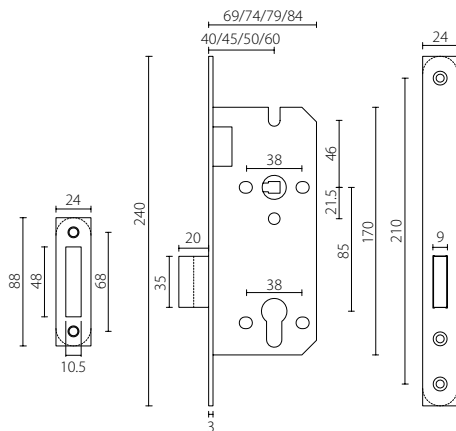
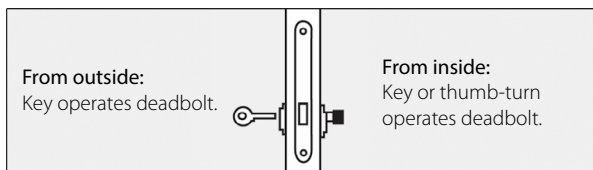
Suitable for unlatched doors with deadbolt locking security.

EN12209:2003 Classification

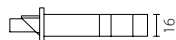
3	X	8	1	0	G	3	B	C	0	0
---	---	---	---	---	---	---	---	---	---	---



Illustration



* Dimensions in mm



HUACI MORTICE LOCK

Mortice Lock ML1085 Series Available Functions

ML108501
Sashlock/Entrance
85mm Center



40mm Backset: ML108501-40
45mm Backset: ML108501-45
50mm Backset: ML108501-50
60mm Backset: ML108501-60

ML108502
Latch/Passage
85mm Center



40mm Backset: ML108502-40
45mm Backset: ML108502-45
50mm Backset: ML108502-50
60mm Backset: ML108502-60

ML108503
Deadlock/
Communicating
85mm Center



40mm Backset: ML108503-40
45mm Backset: ML108503-45
50mm Backset: ML108503-50
60mm Backset: ML108503-60

HUACI MORTICE LOCK

Mortice Lock ML2072 Series

Application

HUACI ML2072 Series Mortice Lock is designed for frequent usage application such as commercial offices where potential misuse may take place

Specifications and Features

- Modular case across functions for rapid door prepping and installation
- 72mm center, backset in 55/60mm
- 8mm solid steel follower
- Easy reversible latchbolt in solid brass*
- Double throw deadbolt in solid steel with 20mm projection
- Suitable for sprung and light un-sprung lever furniture
- Stainless steel faceplate and strike in square and radius version (radius version improves door prep efficiency with machine routing)
- Compatible with bolt through furniture and escutcheons of 38mm centers

*Convenient reversibility without tools

Standards and Certification



Successfully type-tested for conformity to all of requirement of EN12209: 2003



Successfully passed and exceeded 240-minutes fire test of metal fire door assemblies to EN1634-1: 2014



CE Declaration of Conformity available upon request



Meets the dimensional recommendations of BS8300 and Approved Document "M"



HUACI ML2072 series locks are approved by Certifire.* Certifire No. CF5333



All EN/CE/Certifire tests performed independently and certified by Exova/Warrington Fire/Warrington APT. Test report/certificate are available upon request.

* Certifire is an independent third party certification scheme that assures performance, quality and traceability of fire protection products



Forend and Strike Finishes

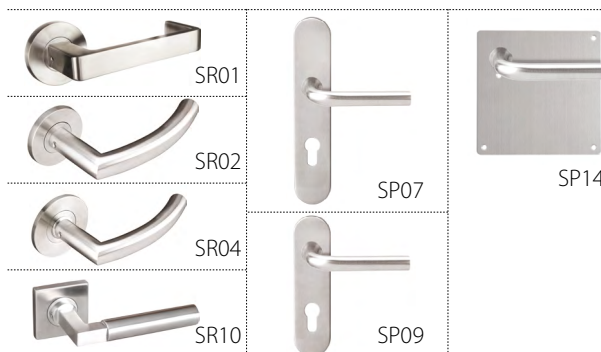


Satin

Matching finish on latchbolt and deadbolt

*Other finishes available upon request

Trim Options:



Lever Options

Suitable with any HUACI lever design

* Please refer to HUACI Lever Handle catalogue for more detail on Lever and Trim options

HUACI MORTICE LOCK

Mortice Lock ML2072 Series Available Functions

ML207201

Function

Sashlock/Entry

Application

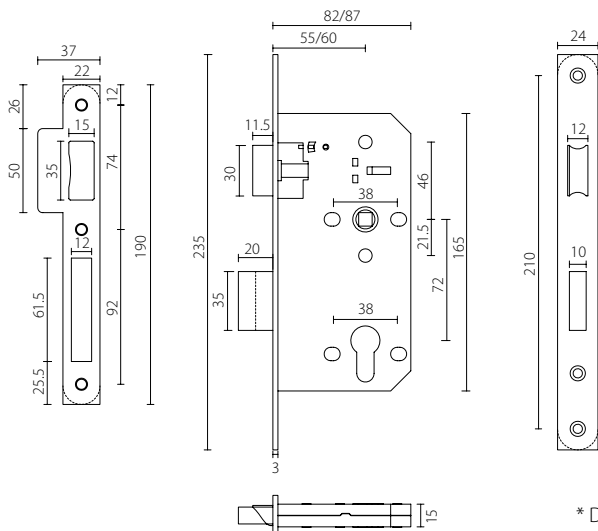
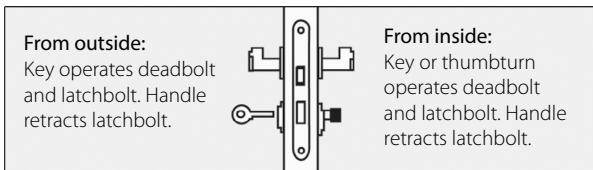
Suitable for latched doors requiring deadbolt locking security.

EN12209:2003 Classification

3	S	7	1	0	G	3	B	C	2	0
---	---	---	---	---	---	---	---	---	---	---



Illustration



ML207202

Function

Latch/Passage

Application

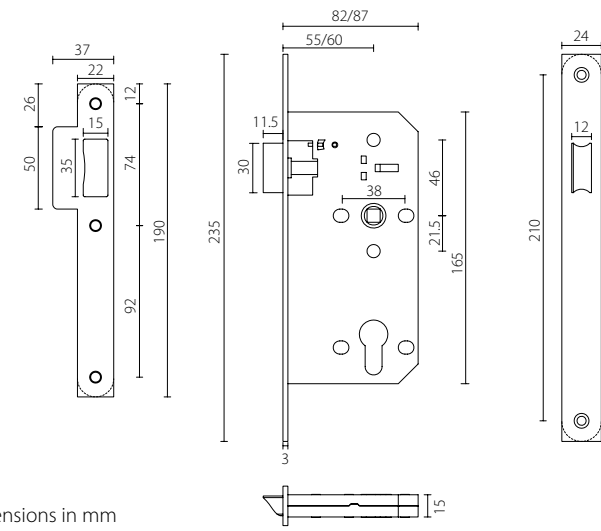
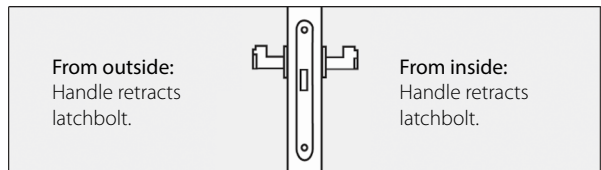
Suitable for latched doors remaining unlocked at all times.

EN12209:2003 Classification

3	S	7	1	0	G	-	B	0	2	0
---	---	---	---	---	---	---	---	---	---	---



Illustration



* Dimensions in mm

HUACI MORTICE LOCK

Mortice Lock ML2072 Series Available Functions

ML207203

Function

Deadlock/Communicating

Application

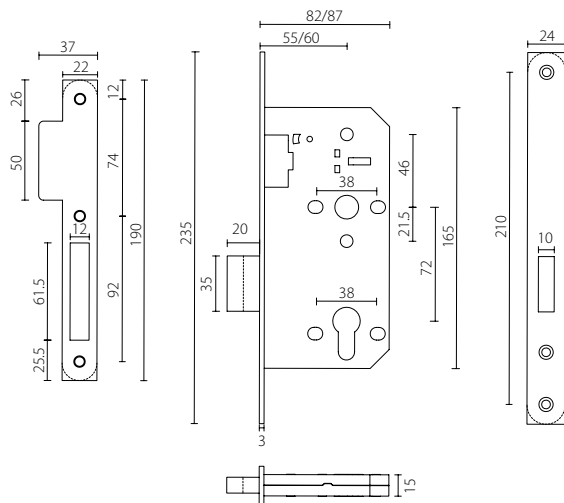
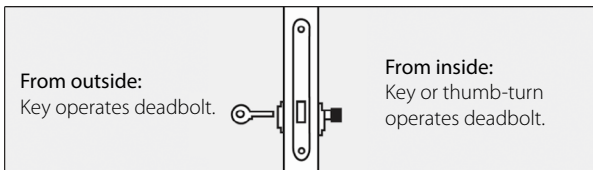
Suitable for unlatched doors with deadbolt locking security.

EN12209:2003 Classification

3	S	7	1	0	G	3	B	C	0	0
---	---	---	---	---	---	---	---	---	---	---



Illustration



ML207205

Function

Bathroom/Privacy

Application

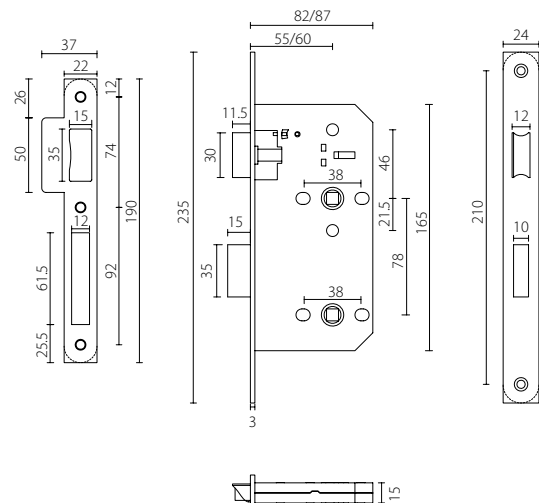
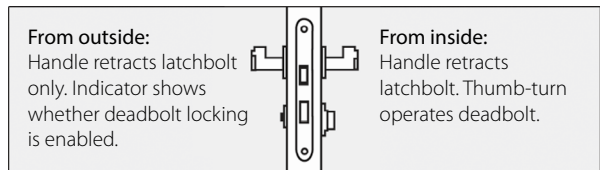
Suitable for bathroom door with deadbolt locking privacy. Emergency unlocking provided by coin release slot.

EN12209:2003 Classification

3	S	7	1	0	G	-	B	0	2	0
---	---	---	---	---	---	---	---	---	---	---



Illustration:



* Dimensions in mm

HUACI MORTICE LOCK

Mortice Lock ML2072 Series Available Functions

ML207204

Function

Nightlatch/Storeroom

Application

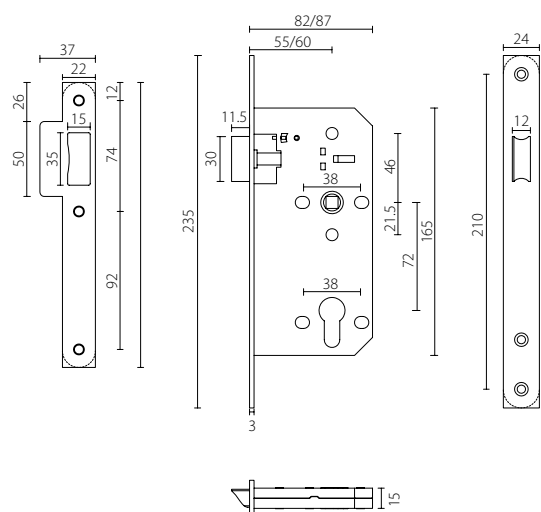
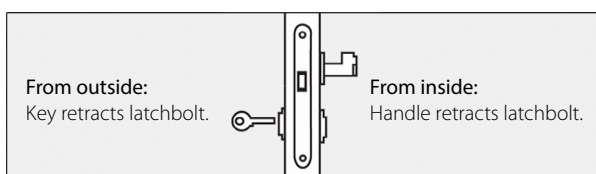
Suitable for latched door with cylinder key operated access from outside and handle access from inside.

EN12209:2003 Classification

3	S	7	1	0	G	-	B	0	2	0
---	---	---	---	---	---	---	---	---	---	---



Illustration



* Dimensions in mm

HUACI MORTICE LOCK

Mortice Lock ML2072 Series Available Functions

ML207201
Sashlock/Entrance
72mm Center



55mm Backset: ML207201-55
60mm Backset: ML207201-60

ML207202
Latch/Passage
72mm Center



55mm Backset: ML207202-55
60mm Backset: ML207202-60

ML207203
Deadlock/
Communicating
72mm Center



55mm Backset: ML207203-55
60mm Backset: ML207203-60

ML207205
Bathroom/Privacy
78mm Center



55mm Backset: ML207205-55
60mm Backset: ML207205-60

ML207204
Nightlatch/
Storeroom
72mm Center



55mm Backset: ML207204-55
60mm Backset: ML207204-60

HUACI MORTICE LOCK

Mortice Lock ML2085 Series

Application

HUACI ML2085 Series Mortice Lock is designed for frequent usage application such as commercial offices where potential misuse may take place

Specifications and Features

- Modular case across functions for rapid door prepping and installation
- 85mm center, backset in 40/45/50/60mm
- 8mm sintered steel follower
- Easy* reversible latchbolt in Solid Brass
- Double throw deadbolt in solid steel with 20mm projection
- Suitable for sprung and light un-sprung lever furniture
- Stainless steel faceplate and strike in square and radius version (radius version improves door prep efficiency with machine routing)
- Compatible with bolt through furniture and escutcheons of 38mm center

*Convenient reversibility with no tools required

Standards and Certification



Successfully type-tested for conformity to all of requirement of EN12209: 2003



Successfully passed and exceeded 240-minutes fire test of metal fire door assemblies to EN1634-1: 2014



CE Declaration of Conformity available upon request



Meets the dimensional recommendations of BS8300 and Approved Document "M"



HUACI ML2085 series locks are approved by Certifire.* Certifire No. CF5333



All EN/CE/Certifire tests performed independently and certified by Exova/ Warrington Fire / Warrington APT. Test report/ certificate are available upon request.

* Certifire is an independent third party certification scheme that assures performance, quality and traceability of fire protection products



Forend and Strike Finishes

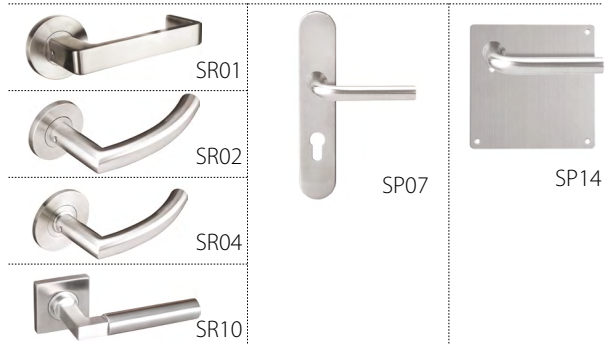


Satin

Matching finish on latchbolt and deadbolt

*Other finishes available upon request

Trim Options



Lever Options

Suitable with any HUACI lever design

* Please refer to HUACI Lever Handle catalogue for more detail on Lever and Trim options

HUACI MORTICE LOCK

Mortice Lock ML2085 Series Available Functions

ML208501

Function

Sashlock/Entry

Application

Suitable for latched doors requiring deadbolt locking security.

ML208502

Function

Latch/Passage

Application

Suitable for latched doors remaining unlocked at all times.

EN12209:2003 Classification

3	S	7	1	0	G	3	B	C	2	0
---	---	---	---	---	---	---	---	---	---	---

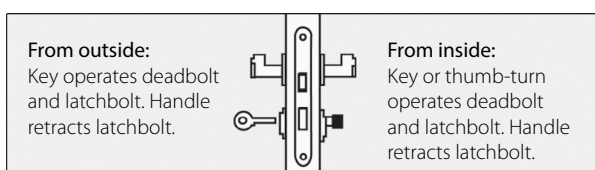


EN12209:2003 Classification

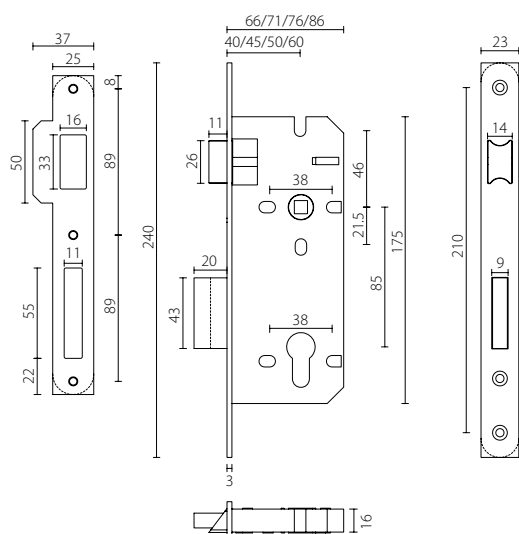
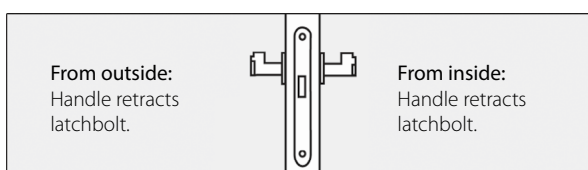
3	S	7	1	0	G	-	B	0	2	0
---	---	---	---	---	---	---	---	---	---	---



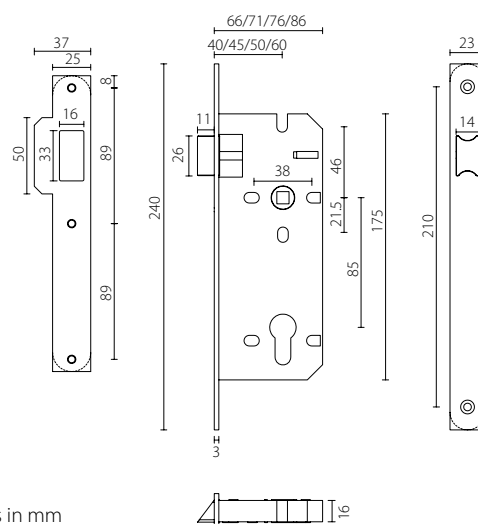
Illustration



Illustration



* Dimensions in mm



HUACI MORTICE LOCK

Mortice Lock ML2085 Series Available Functions

ML208503

Function

Deadlock/Communicating

Application

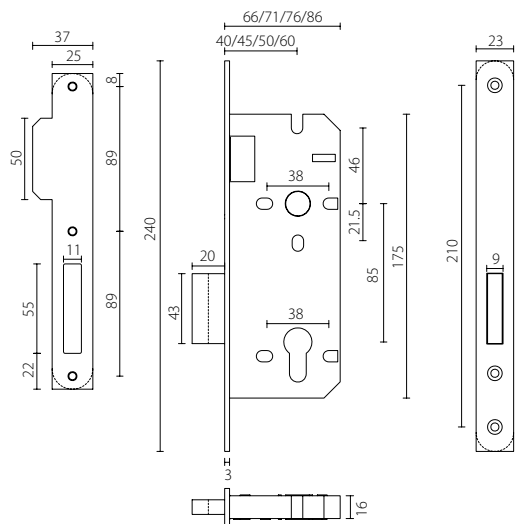
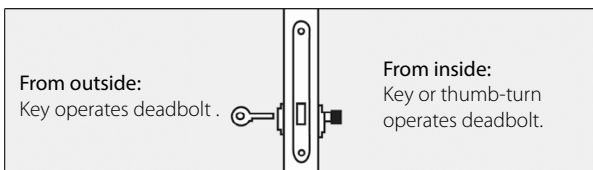
Suitable for unlatched doors with deadbolt locking security.

EN12209:2003 Classification

3	S	7	1	0	G	3	B	C	0	0
---	---	---	---	---	---	---	---	---	---	---



Illustration



ML208507

Function

Roller Latch (Adjustable)

Application

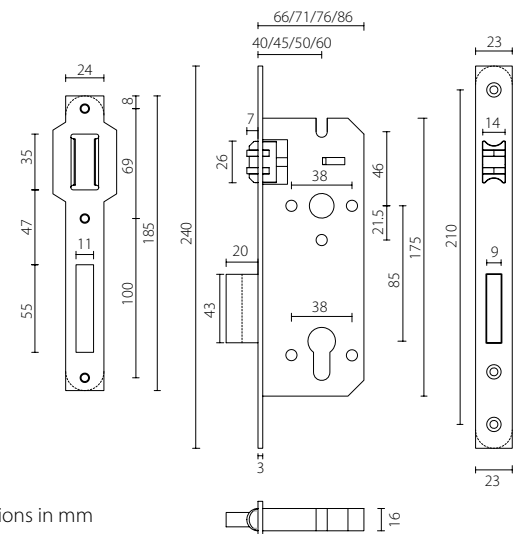
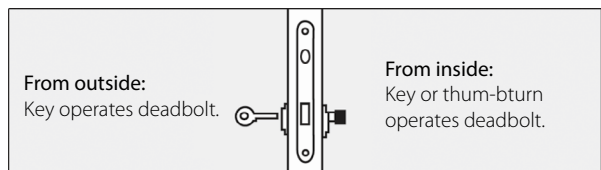
Suitable for doors requiring roller bolt latching. Security provided by deadbolt locking.

Classification

3	S	7	1	0	G	3	B	C	0	0
---	---	---	---	---	---	---	---	---	---	---



Illustration



* Dimensions in mm

HUACI MORTICE LOCK

Mortice Lock ML2085 Series Available Functions

ML208501
Sashlock/Entrance
85mm Center



40mm Backset: ML208501-40
45mm Backset: ML208501-45
50mm Backset: ML208501-50
60mm Backset: ML208501-60

ML208502
Latch/Passage
85mm Center



40mm Backset: ML208502-40
45mm Backset: ML208502-45
50mm Backset: ML208502-50
60mm Backset: ML208502-60

ML208503
Deadbolt/
Communicating
85mm Center



40mm Backset: ML208503-40
45mm Backset: ML208503-45
50mm Backset: ML208503-50
60mm Backset: ML208503-60

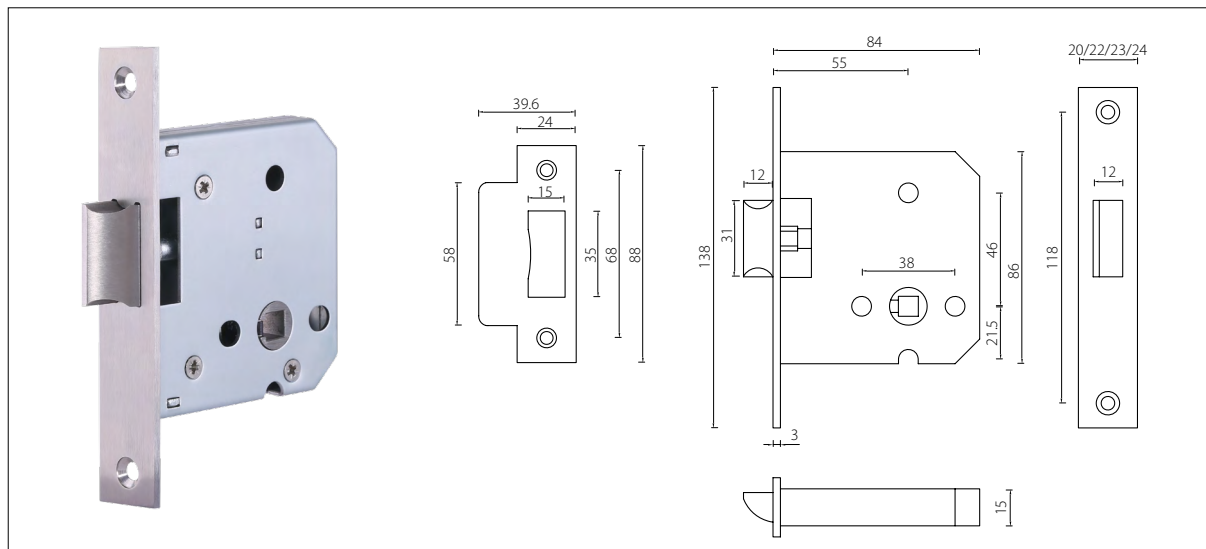
ML208507
Roller Latch
85mm Center



40mm Backset: ML208507-40
45mm Backset: ML208507-45
50mm Backset: ML208507-50
60mm Backset: ML208507-60

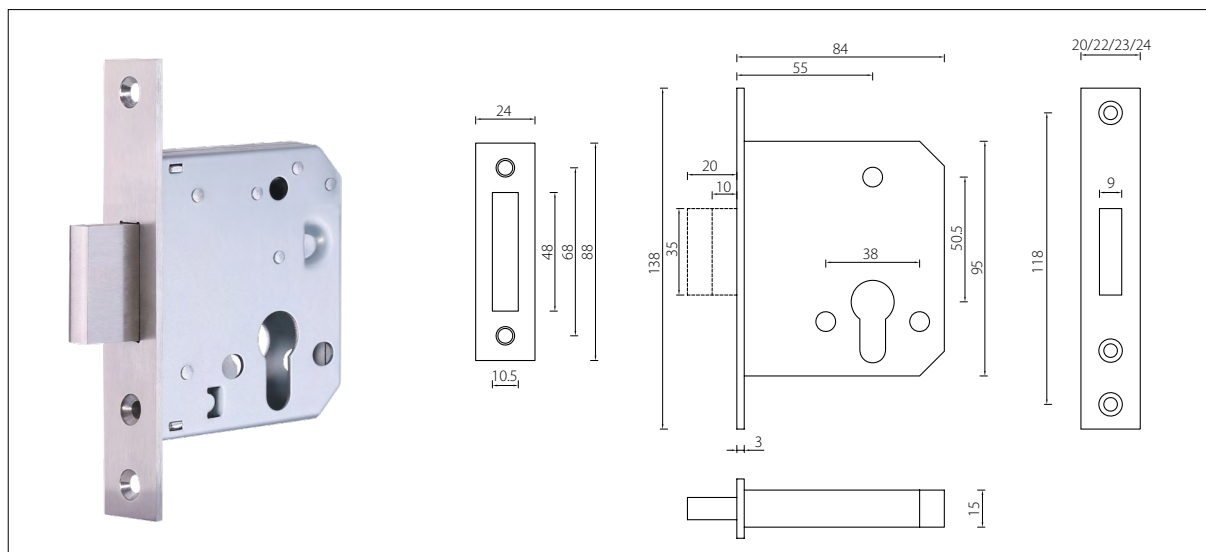
HUACI COMPACT MORTICE LOCK MLC SERIES

MLC102-55 Latch/Passage



- Backset in 55mm
- 8mm follower with spindle gripping function
- Reversible Latchbolt in solid stainless steel
- Suitable for sprung and most un-sprung lever furniture
- Stainless steel faceplate and strike in square and radius version in Satin Finish
- Compatible with bolt through furniture of 38mm centers

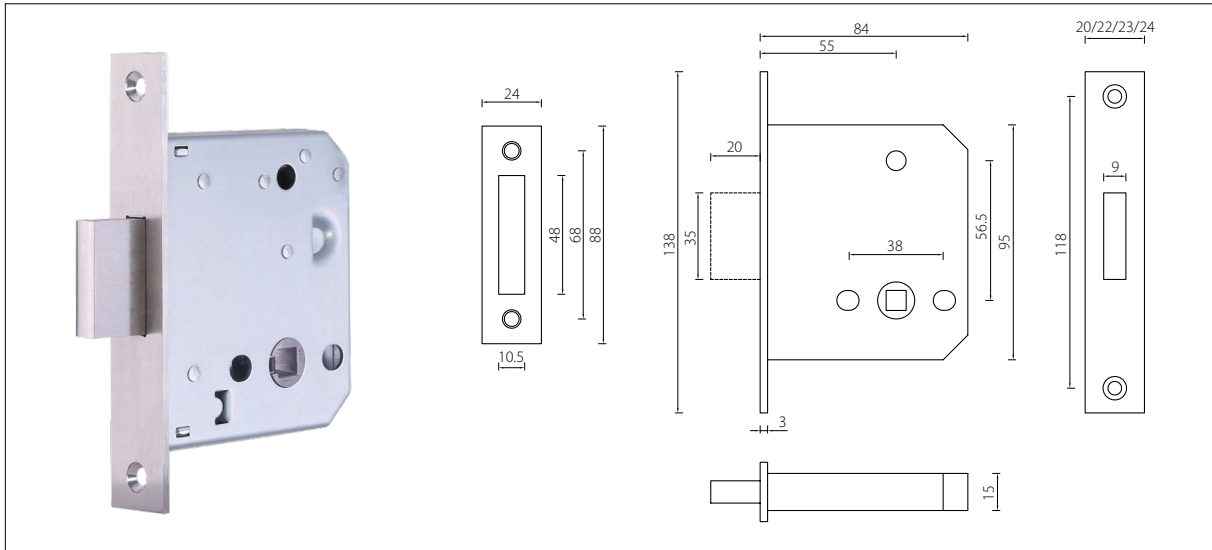
MLC103-55 Deadlock/Communicating



- Backset in 55mm
- Double throw deadbolt in solid stainless steel
- Stainless steel faceplate and strike in square and radius version
- Compatible with bolt through escutcheons of 38mm centers

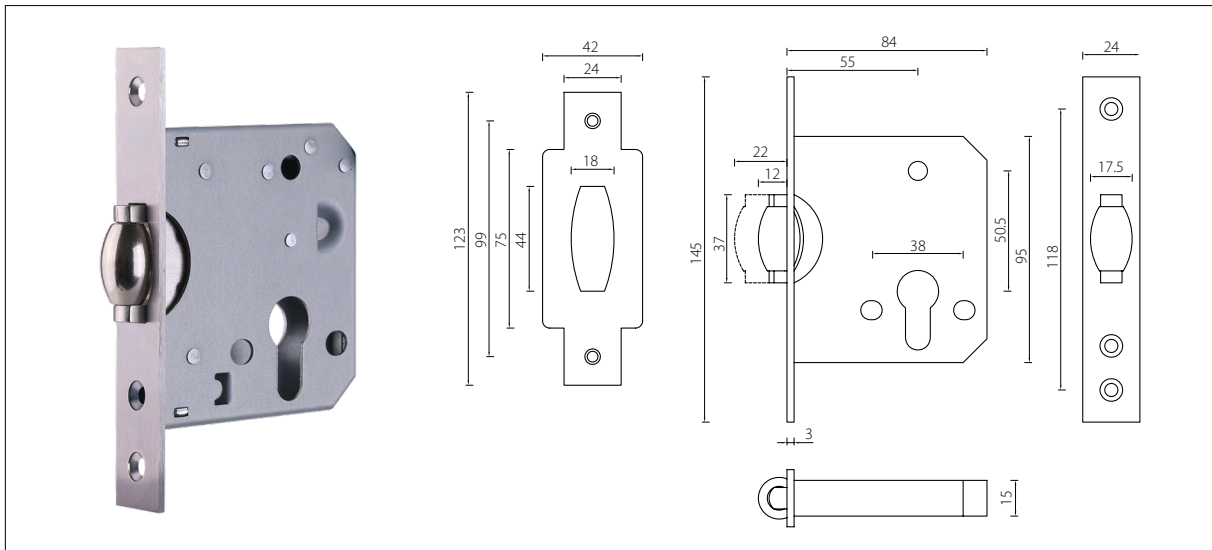
HUACI COMPACT MORTICE LOCK MLC SERIES

MLC105-55 Bathroom/Privacy



- Backset in 55mm
- 8mm follower
- Stainless steel faceplate and strike in square and radius version
- Compatible with bolt through escutcheons of 38mm centers
- Single turn to suit privacy turn and release set with 38mm bolt through compatibility

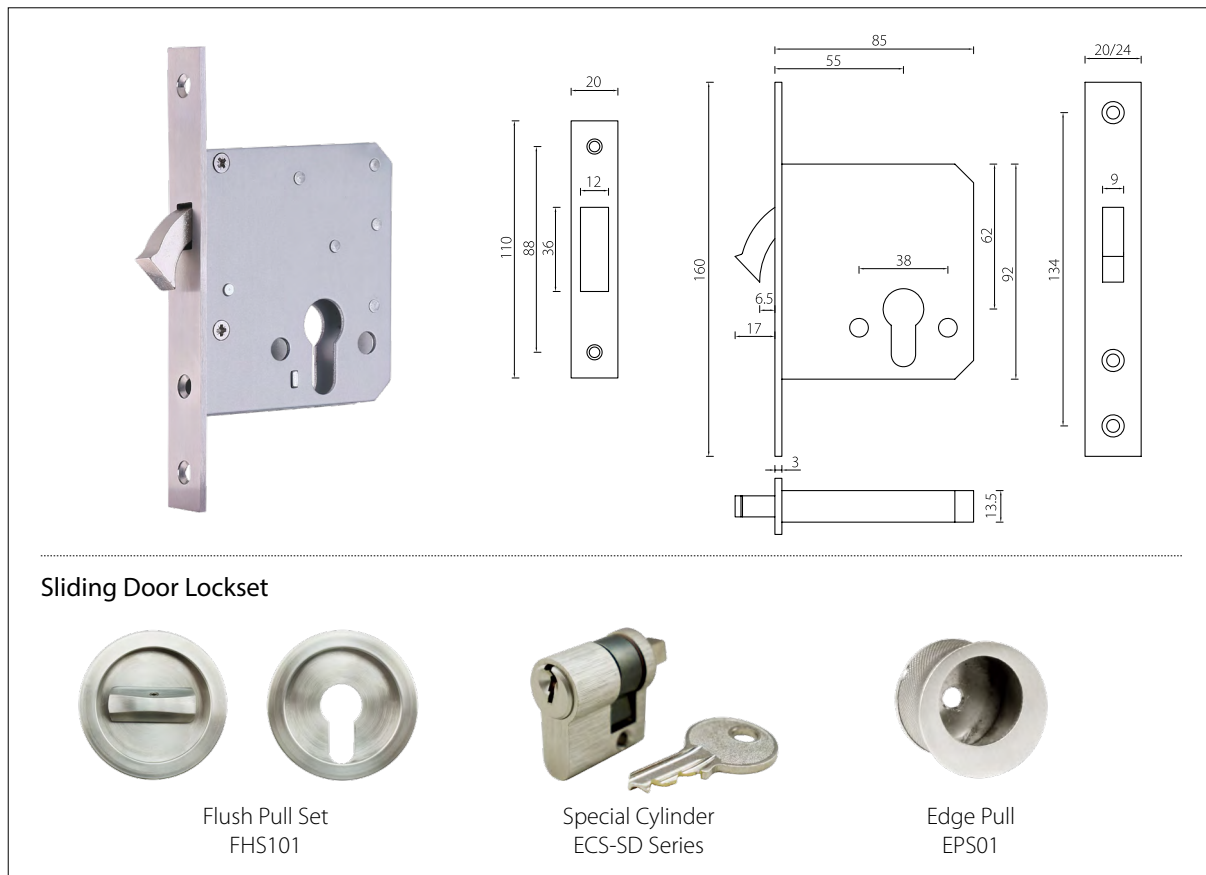
ML107-55 Roller Bolt



- Backset in 55mm
- Can be used as passage or deadlock application
- Dead bolt function achieved with euro profile cylinder operation
- Roller Latch in stainless steel
- Stainless steel faceplate and strike in square and radius version
- Compatible with bolt through escutcheons of 38mm centers

HUACI COMPACT MORTICE LOCK MLC SERIES

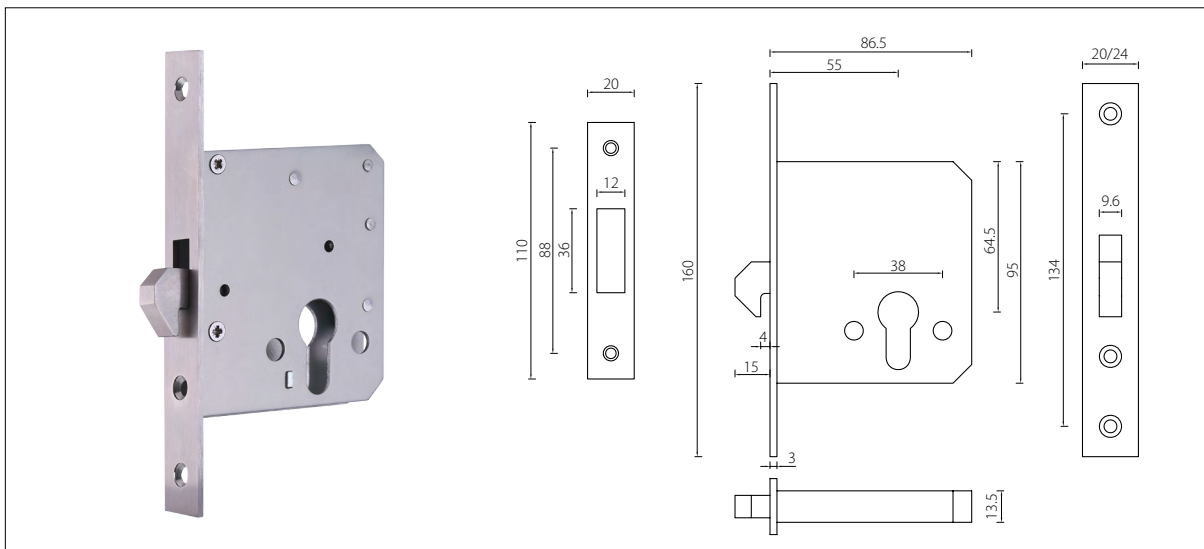
MLC106-55 Hook Lock



- Backset in 55mm
- Locking function achieved with euro profile cylinder
- Single turn hook bolt in stainless steel
- Stainless steel faceplate and strike in square and radius version
- Compatible with bolt through escutcheons of 38mm centers

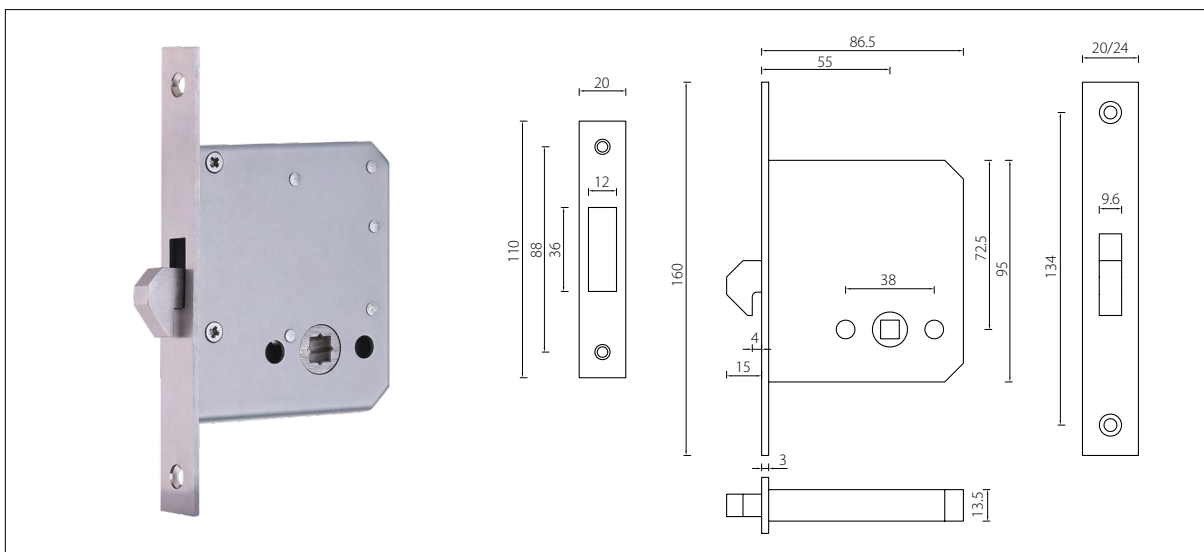
HUACI COMPACT MORTICE LOCK MLC SERIES

MLC116-55 Hook Lock



- Backset in 55mm
- Auto locking achieved by sliding to close door
- Unlocking by euro profile cylinder
- Stainless steel faceplate and strike in square and radius version
- Compatible with bolt through escutcheons of 38mm centers

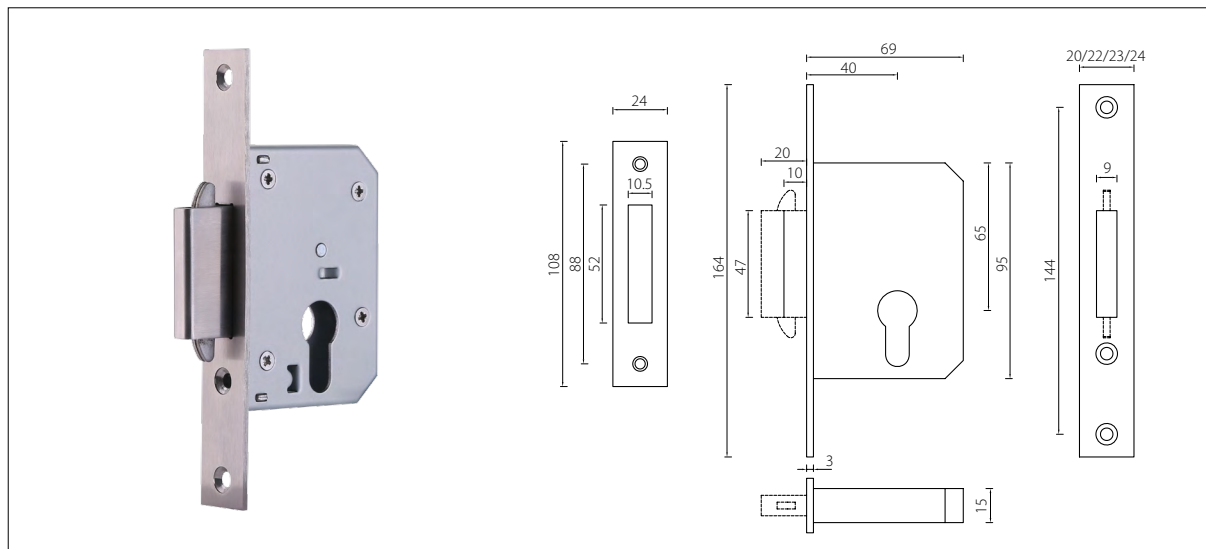
MLC126-55 Privacy Hook Lock



- Backset in 55mm
- Auto locking achieved by sliding to close door
- Unlocking by thumb turn and release
- Stainless steel faceplate and strike in square and radius version
- Compatible with bolt through privacy turn and release set of 38mm centers

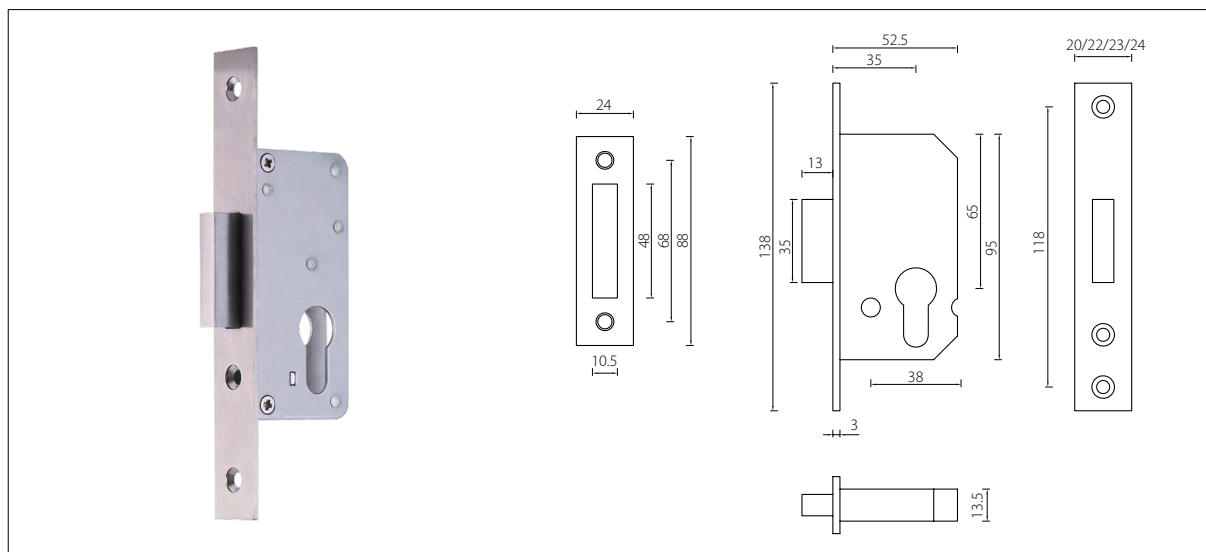
HUACI COMPACT MORTICE LOCK MLC SERIES

MLC136-40 Double Hook Lock



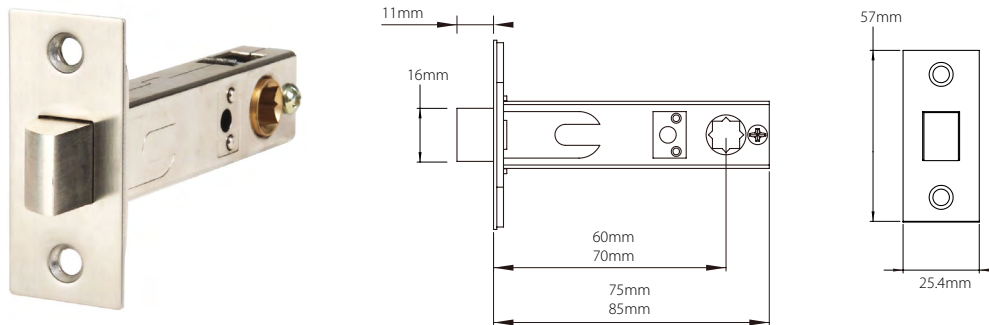
- Backset in 40mm
- Function achieved with euro profile cylinder
- Double turn hook bolt with wings in stainless steel
- Stainless steel faceplate and strike in square and radius version

MLC103-35



- Backset in 35mm
- Single throw deadbolt in stainless steel
- Suitable for sprung and most un-sprung lever furniture
- Stainless steel faceplate and strike in square and radius version
- Compatible with bolt through escutcheons of 38mm centers

RESIDENTIAL TUBULAR LATCH RTL30 SERIES



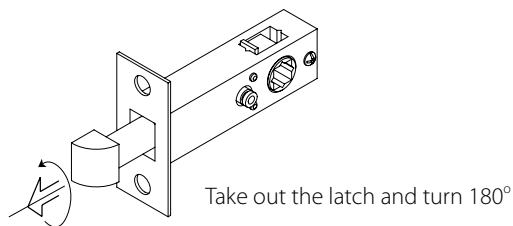
Specifications and Features

- 60 Degree Latch Retraction
- Easy reversible latchbolt
- Solid brass latchbolt and follower for durable performance
- Stainless Steel Forend and Strike, Satin Finish
- Available backset: 2-3/8" (60mm), 2-3/4" (70mm)

Available Models

Item No.	Function	Backset
RTL3061	Passage	60mm
RTL3062	Privacy	60mm
RTL3071	Passage	70mm
RTL3072	Privacy	70mm

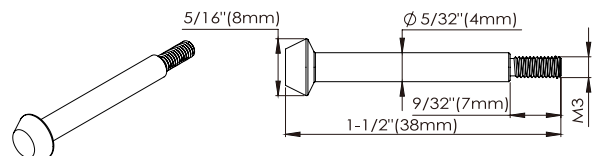
Reverse the latchbolt



Privacy Pin Kit

All privacy latches come with M3 Privacy Pin and Emergency Release Key

M3 Privacy Pin

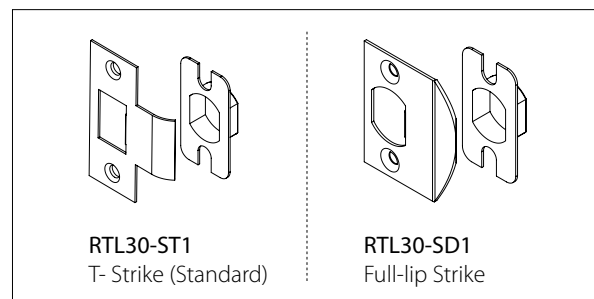


Emergency Release Key

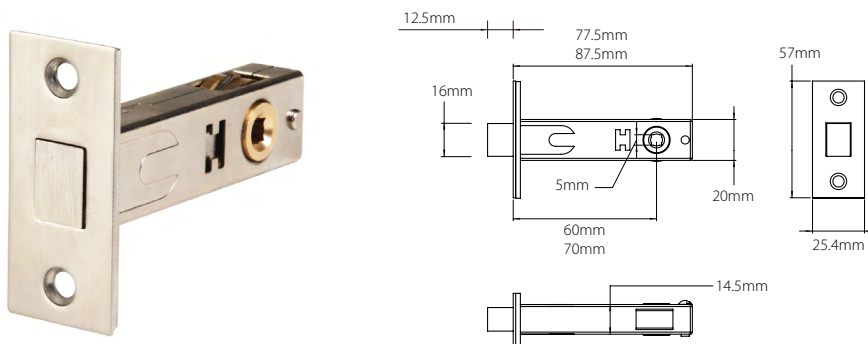


Strike Options

RTL30 latch comes with a standard T-Strike RTL30-ST1 and other strike options as following:



RESIDENTIAL PRIVACY BOLT RPB30 SERIES



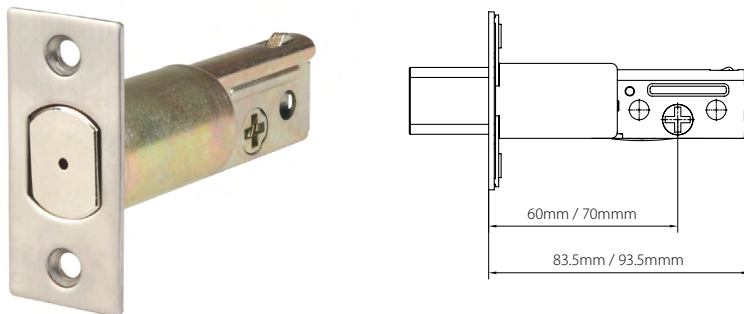
Specifications and Features

- Complimentary to RTL30 Series Tubular Latch to create privacy function
- Solid brass deadbolt and follower for durable performance
- Stainless Steel Forend and Strike, Satin Finish
- Available backset: 2-3/8" (60mm), 2-3/4" (70mm)

Available Models

Item No.	Backset
RPB3061	60mm
RPB3071	70mm

RESIDENTIAL TUBULAR DEADBOLT RTB30 SERIES



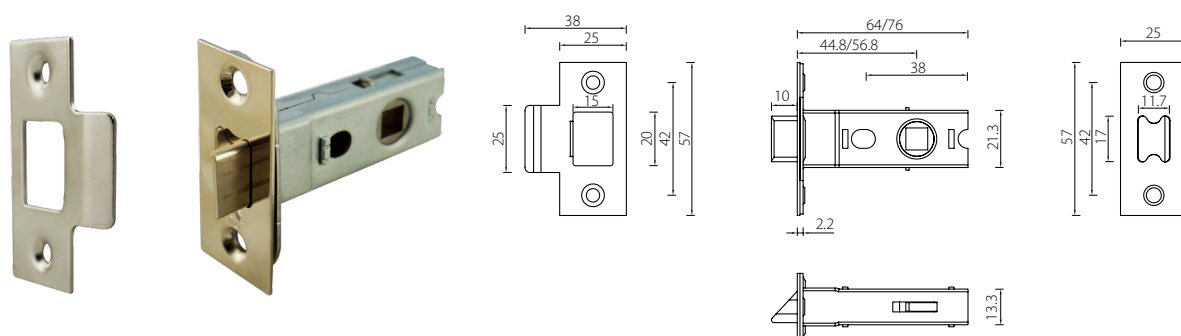
Specifications and Features

- Suitable for doors required locking and keyed entry (fitted with rim cylinder or euro cylinder with tale piece design)
- Solid brass deadbolt for durable performance
- 1" (25mm) throw with anti-drill pin
- Stainless Steel Forend and Strike, Satin Finish
- Available backset: 2-3/8" (60mm), 2-3/4" (70mm)

Available Models

Item No.	Backset
RTB3061	60mm
RTB3071	70mm

BOLT THROUGH TUBULAR LATCH BTL20 SERIES



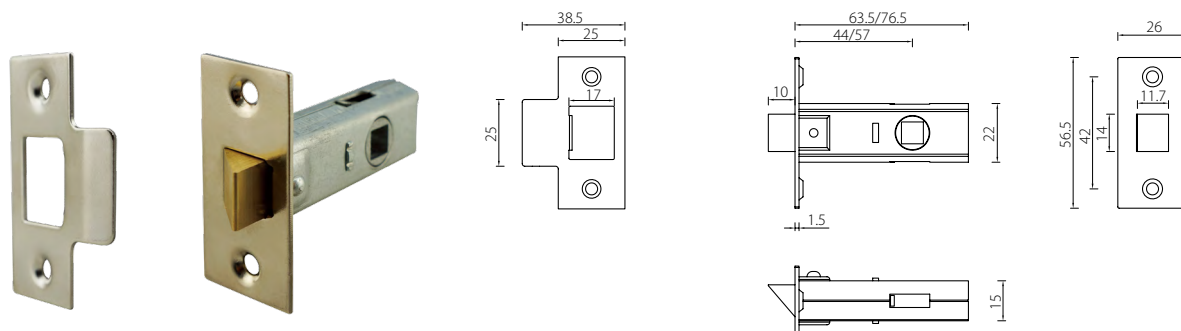
Specifications and Features

- Available in 64mm (2.5") and 76mm (3") case size
- Non handed installation
- Brass Latchbolt and Solid Steel Follower for durable performance
- Steel Forend and Strike in double forend reinforcement design
- Standard finish: Nickel Plated (NP) and Polish Brass (PB)
- Suitable for sprung furniture with 38mm through bolt fixing
- Tested to EN12209:2003
- Can be fire rated to EN1634-1
- Suitable for light to medium duty application

Available Models

- BTL201: 64mm Nickel Plated (NP)
- BT202: 64mm Polish Brass (PB)
- BTL203: 76mm Nickel Plated (NP)
- BT204: 76mm Polish Brass (PB)

STANDARD TUBULAR LATCH TL10 SERIES



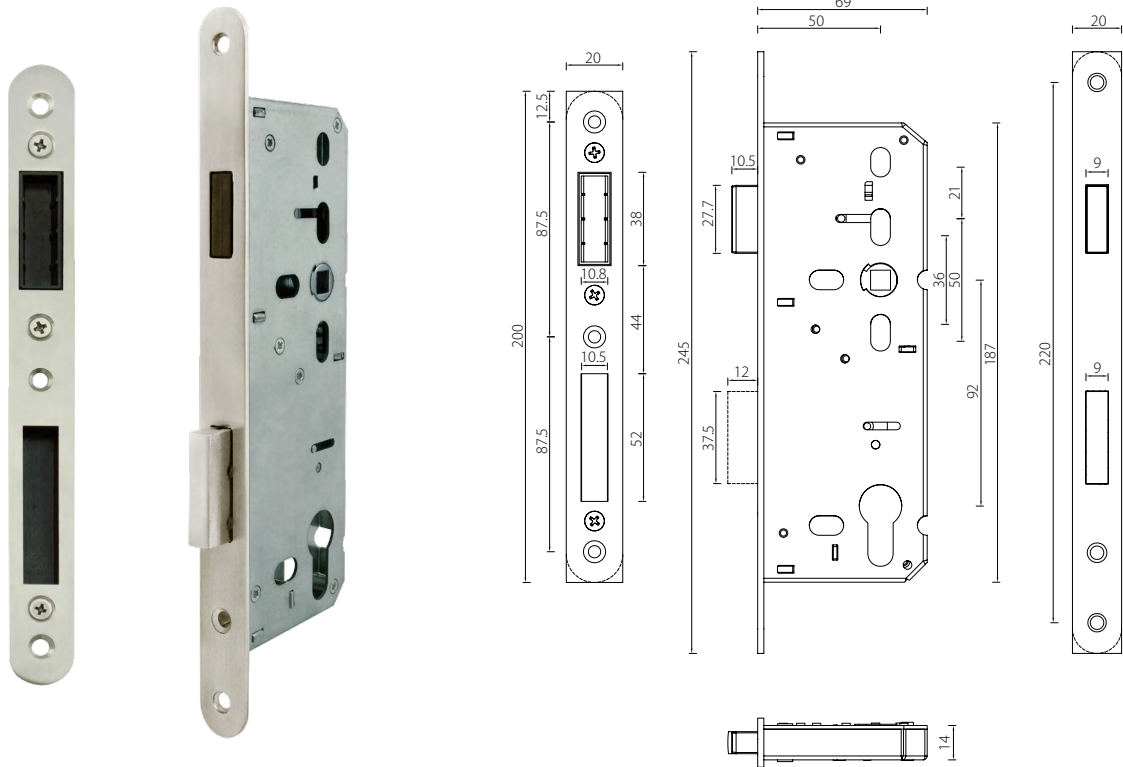
Specifications and Features

- Available in 64mm (2.5") and 76mm (3") case size
- Non handed installation
- Brass Latchbolt and Zinc Follower
- Standard finish: Nickel Plated (NP) and Polish Brass (PB)
- Suitable for light duty application

Available Models

- TL101: 64mm Nickel Plated (NP)
- TL102: 64mm Polish Brass (PB)
- TL103: 76mm Nickel Plated (NP)
- TL104: 76mm Polish Brass (PB)

MG9210-50 MORTICE MAGNETIC LOCK



Specifications and Feature

- 92mm standard center distance with 50mm backset
- Magnetic latch designed for reducing installation gap
- Magnetic latch can be retracted by cylinder operation
- Multiple through bolt holes available for wide trim options
- Non handed installation
- Solid brass deadbolt providing additional security
- Can be used as passage or entrance function
- Stainless steel forend and strike for strong corrosive resistance
- Suitable for sprung and most unsprung lever handle

Application

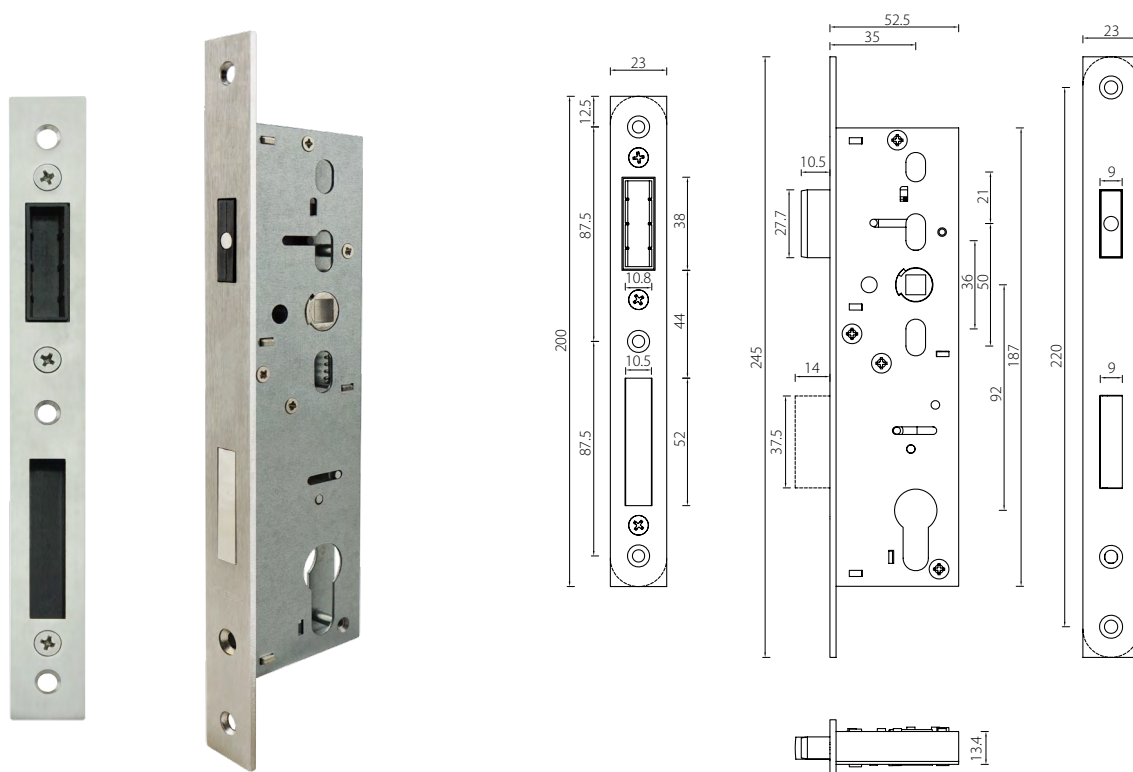
MG10910-50 Magnetic Lock is designed for timber doors requiring silent closing action

Forend and Strike Finish

Satin Stainless Steel

*Other finishes available upon request

MG9210-35 MORTICE MAGNETIC LOCK



Specifications and Feature

- 92mm standard center distance with 35mm backset
- Magnetic latch designed for reducing installation gap
- Multiple through bolt holes available for wide trim options
- Non handed installation
- Solid brass deadbolt providing additional security
- Can be used as passage or entrance function
- Stainless steel forend and strike for strong corrosive resistance
- Suitable for sprung and most unsprung lever handle

Application

MG10910-35 Magnetic Lock is designed for narrow profile doors requiring silent closing action

Forend and Strike Finish

Satin Stainless Steel
*Other finishes available upon request

ML1090-50 MORTICE LOCK

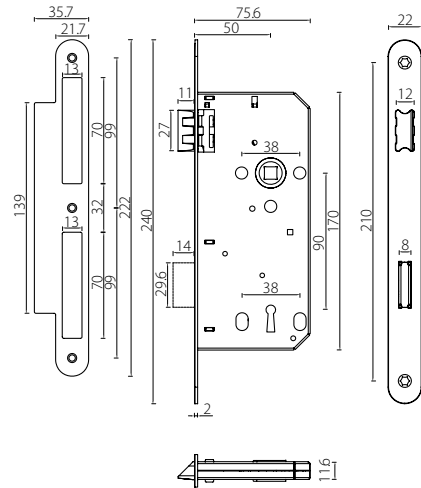


Specifications and Features

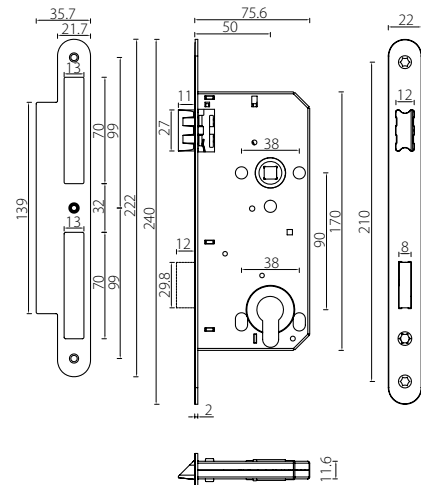
- 90mm centers with 50mm backset
- Radius stainless steel or painted steel forend
- Easy reversible latchbolt
- Tested to EN12209 performance and EN1670 corrosion resistance

Available Models

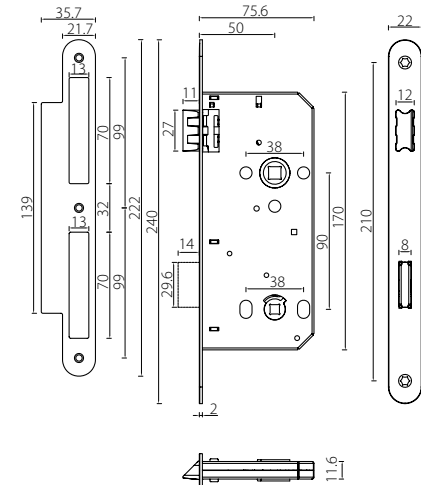
Key Entrance: ML109011-50/SSS



Euro Cylinder Entrance: ML109001-50/SSS



Bathroom / Privacy: ML109005-50/SSS

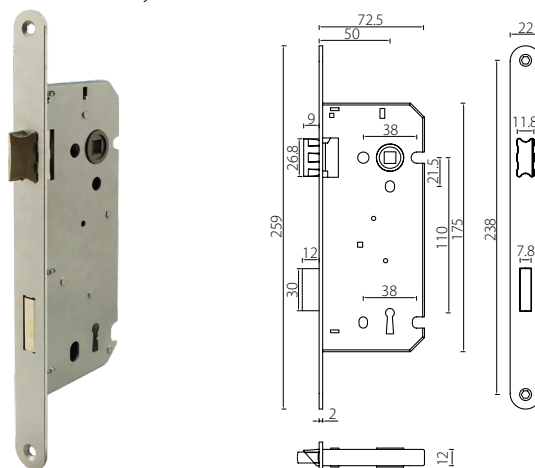


ML10110-50 MORTICE LOCK

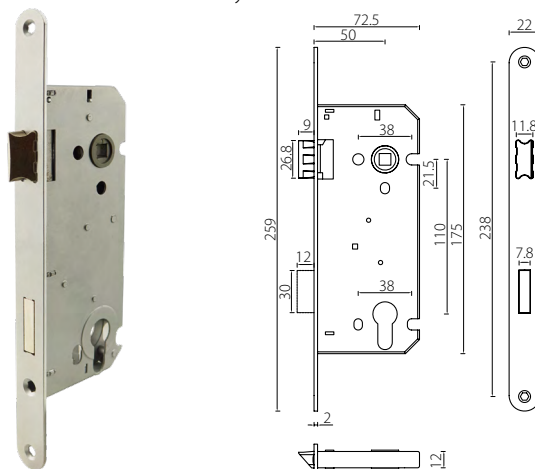


Available Models

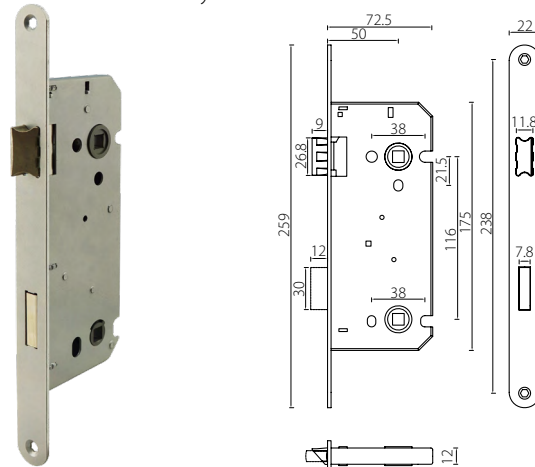
Key Entrance: - Satin Stainless Steel: ML1011011-50/SSS
 - Steel Grey Paint: ML1011011-50/SGP



Euro Cylinder Entrance: - Satin Stainless Steel: ML1011001-50/SSS
 - Steel Grey Paint: ML1011001-50/SGP



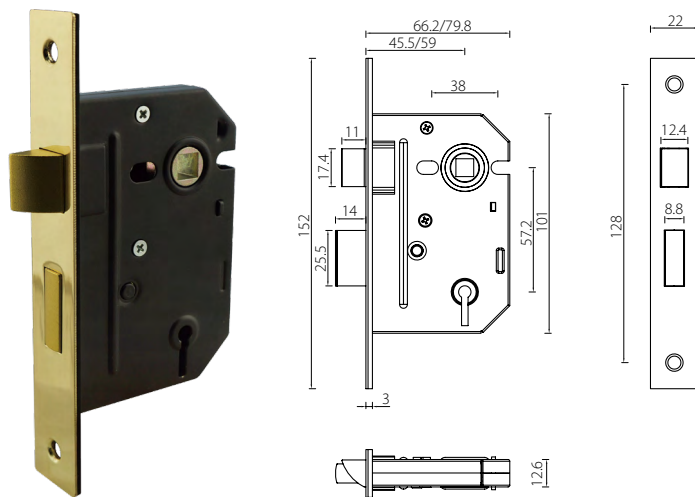
Bathroom / Privacy: - Satin Stainless Steel: ML1011005-50/SSS
 - Steel Grey Paint: ML1011005-50/SGP



Specifications and Features

- 110mm centers with 50mm backset
- Radius stainless steel or painted steel forend
- Easy reversible latchbolt
- Tested to EN12209 performance and EN1670 corrosion resistance

3 LEVER MORTICE LOCK ML3L SERIES



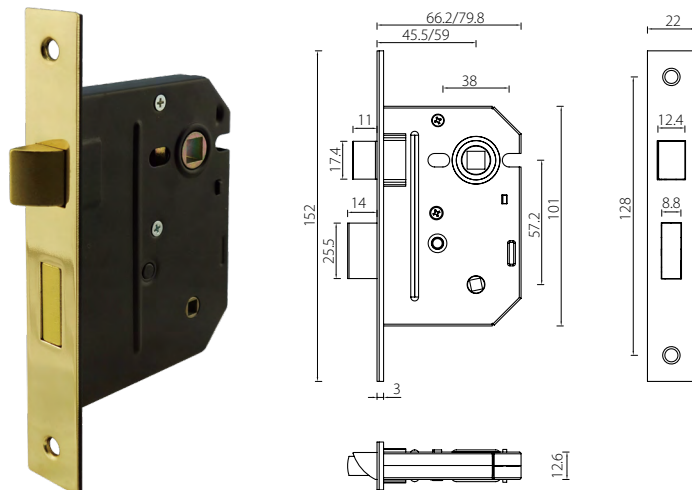
Specifications and Feature

- Available in 64mm (2.5") and 76mm (3") case size
- Double Forend Design for reinforcement
- Steel Forend / Strike in Chrome Plate (CP) or Polish Brass (PB) finish
- Aluminium anodized latchbolt and deadbolt
- Convenient latchbolt reversibility design without having to open the case
- Suitable for sprung furniture with 38mm through bolt fixing
- 100 standard key differ
- Good for retrofit market

Available Models

- ML3L01: 2.5" Case Chrome Plated (CP)
- ML3L02: 2.5" Case Polish Brass (PB)
- ML3L03: 3" Case Chrome Plated (CP)
- ML3L04: 3" Case Polish Brass (PB)

BATHROOM MORTICE LOCK MLBT SERIES



Specifications and Feature

- Available in 64mm (2.5") and 76mm (3") case size
- Double Forend Design
- Steel Forend Strike in Chrome Plate (CP) or Polish Brass (PB) finish
- Aluminium anodized latchbolt and deadbolt
- Convenient latchbolt reversibility design without having to open the case
- Suitable for sprung furniture with 38mm through bolt fixing
- 5mm bathroom turn follower
- Good for retrofit market

Available Models

- MLBT01: 2.5" Case Chrome Plated (CP)
- MLBT02: 2.5" Case Polish Brass (PB)
- MLBT03: 3" Case Chrome Plated (CP)
- MLBT04: 3" Case Polish Brass (PB)

HUACI MORTICE LOCK

Narrow Mortice Lock ML30 Series

Application

HUACI ML30 Series Narrow Mortice Lock is designed for commercial and residential profile door applications

Specifications and Features

- Available in 85 and 92mm centers, backset in 20/25/30/35mm
- 8mm spindle follower
- Easy reversible latchbolt design (no tools required)
- Single throw solid deadbolt with 15mm projection
- Suitable for both Sprung and Un-Sprung handle
- Stainless Steel faceplate and strike in various width to fit different aluminium/ uPVC profile requirement
- Modular case across functions for rapid door prepping and installation
- Roller Latch model is designed with adjustable roller projection to fit different door/frame gap
- Successfully type-tested internally for conformity to all of requirement of EN12209:2003



Forend and Strike Finishes

Satin Stainless Steel

*Other finishes available upon request



ML308501/ML309201 Sashlock/Entry

- 85/92mm Center
20mm Backset: ML308501-20
ML309201-20
25mm Backset: ML308501-25
ML309201-25
30mm Backset: ML308501-30
ML309201-30
35mm Backset: ML308501-35
ML309201-35



ML308503/ML309203 Deadlock/Communicating

- 85/92mm Center
20mm Backset: ML308503-20
ML309203-20
25mm Backset: ML308503-25
ML309203-25
30mm Backset: ML308503-30
ML309203-30
35mm Backset: ML308503-35
ML309203-35



ML308502/ML309202 Latch/Passage

- 85/92mm Center
20mm Backset: ML308502-20
ML309202-20
25mm Backset: ML308502-25
ML309202-25
30mm Backset: ML308502-30
ML309202-30
35mm Backset: ML308502-35
ML309202-35



ML308507/ML309207 Roller Latch

- 85/92mm Center
20mm Backset: ML308507-20
ML309207-20
25mm Backset: ML308507-25
ML309207-25
30mm Backset: ML308507-30
ML309207-30
35mm Backset: ML308507-35
ML309207-35

HUACI MORTICE LOCK

Narrow Mortice Lock ML30 Series Available Functions

ML308501/ML309201

Function

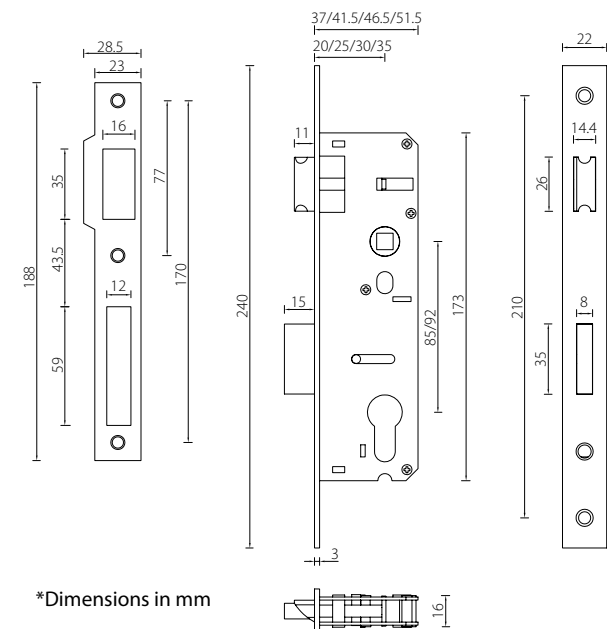
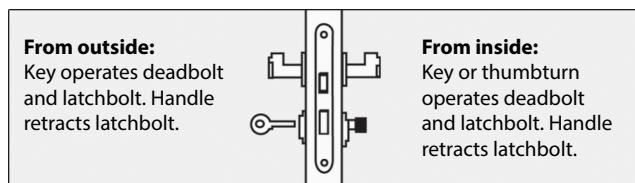
Sashlock/Entry

Application

Suitable for latched doors requiring deadbolt locking security.



Illustration



ML308502/ML309202

Function

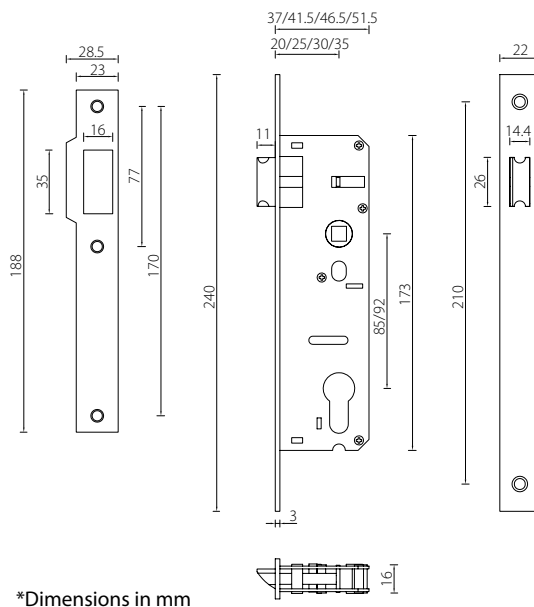
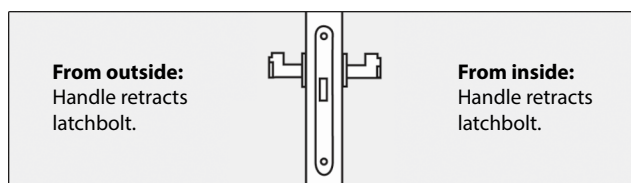
Latch/Passage

Application

Suitable for latched doors remaining unlocked at all time



Illustration



HUACI MORTICE LOCK

Narrow Mortice Lock ML30 Series

Available Functions

ML308503/ML309203

Function

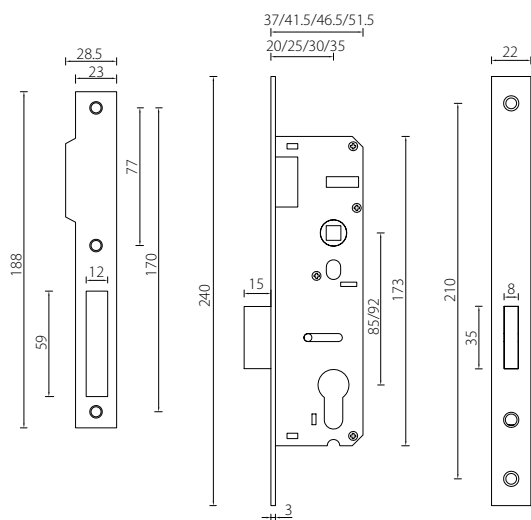
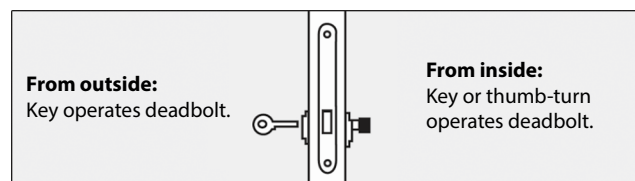
Deadlock/Communicating

Application

Suitable for unlatched doors with deadbolt locking security.



Illustration



*Dimensions in mm



ML308507/ML309207

Function

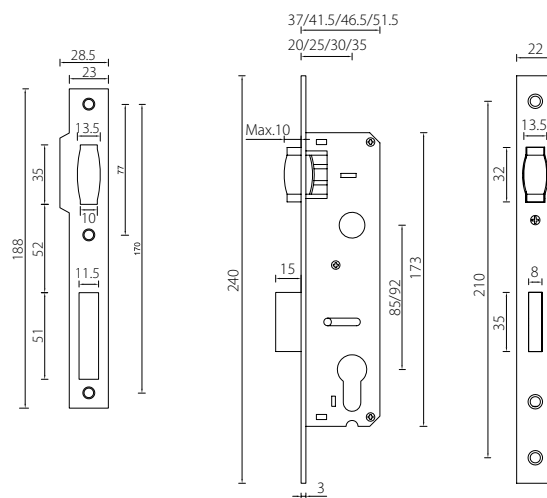
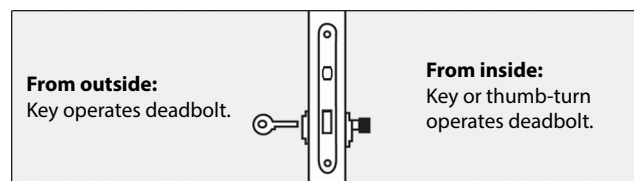
Roller Latch (Adjustable)

Application

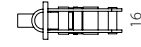
Suitable for doors requiring roller bolt latching. Security provided by deadbolt locking.



Illustration

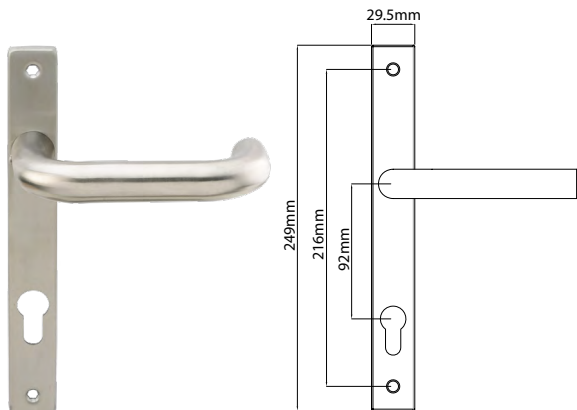


*Dimensions in mm

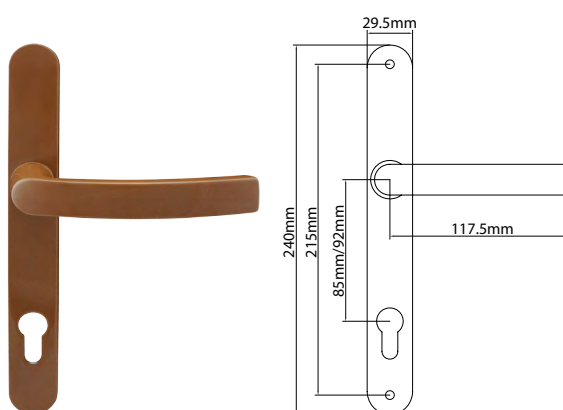
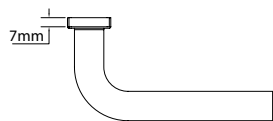


HUACI MORTICE LOCK

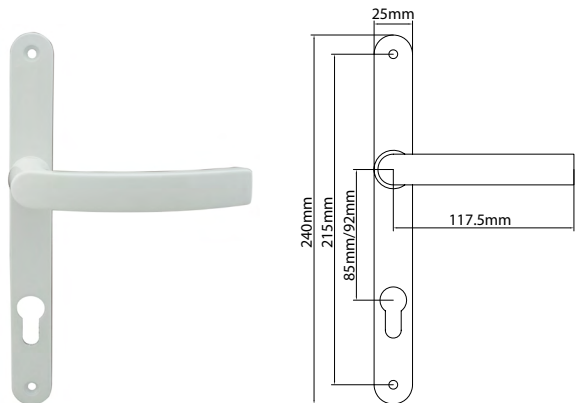
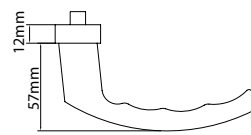
Narrow Mortice Lock ML30 Series Available Levers



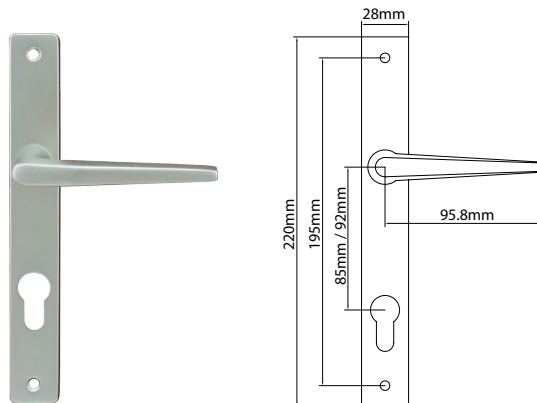
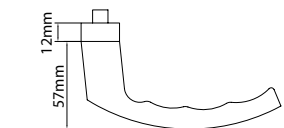
SP04 Plate
SP04SL01-32D
Stainless Steel Satin



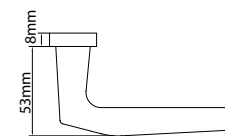
AP03 Plate
AP03ALX1-BN
Aluminum Powder
Coated Brown



AP04 Plate
AP04ALX1-WH
Aluminum Powder
Coated White



AP09 Plate
AP09ALX2-F1
Aluminum Silver



HUACI

HUACI Hardware Factory, Liansheng South Rd, Liangfeng Industrial

Zone, Xiaolan, Zhongshan, 528416, , P.R. CHINA

WhatsApp: +86-189 7534 8534

Website: <http://www.huacihardware.com>,

Email: sales@huacihardware.com