

HUACI PROFILE CYLINDER



HUACI Hardware

Version: 2022.02.02

HUACI PROFILE CYLINDER

Euro Cylinder ECD Series



Application

HUACI ECD Series cylinder is euro cylinder with dimpled pin system suitable for commercial or residential application to provide extra security

Specifications and Features

- Standard euro profile dimension according to DIN18252
- Solid brass body and keys
- Reversible key operation (double sided dimpled keys)
- Various lengths available for different door thickness
- Symmetrical and asymmetrical variant available to work with different lock installation position
- 6 pins construction to maximize key combination and security
- Anti-drill pins and Anti-pick pins available upon request
- Enhanced attack resistance provided by HUACI security escutcheons

Standards and Certification



Successfully type-tested for conformity to all of the requirements of EN1303:2005



Successfully passed 240-minutes fire test of metal door assemblies to EN1634-1:2014



All test performed independently and certified by Exova/Warringtonfire/ Warrington APT. Test reports and/or certificates are available on request

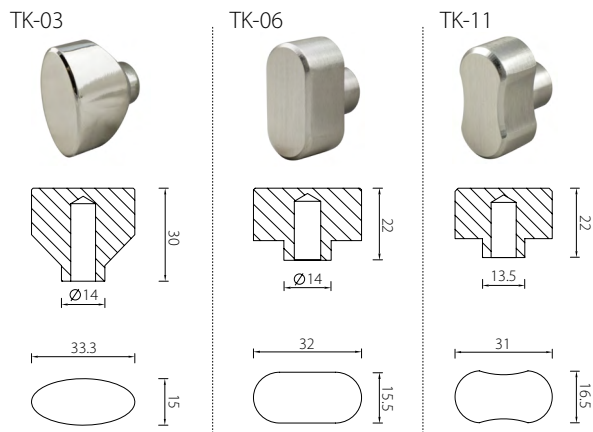
EN1303:2005 Classification

1	6	0	1	0	C	5	2
---	---	---	---	---	---	---	---

Finishes

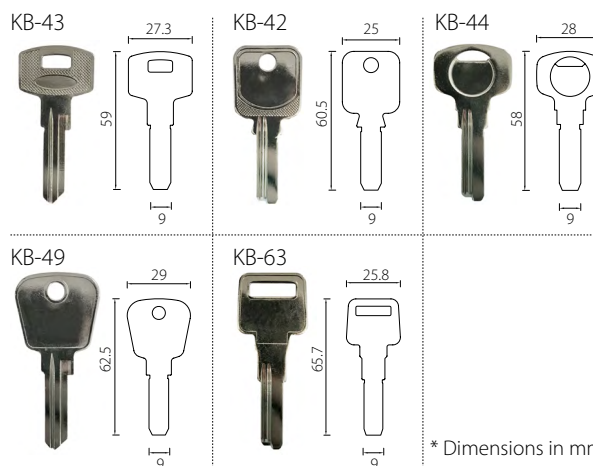
- Satin Nickel (SN)
- Nickel Plated (NP)
- Brass Polished (BP)
- Antique Brass (AB)

Thumb-turn Options



* Dimensions in mm

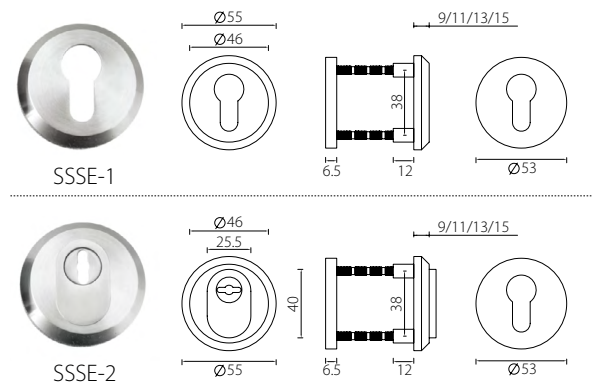
Key Bow Options



* Dimensions in mm

Related Products

Stainless Steel Security Escutcheons



* Dimensions in mm

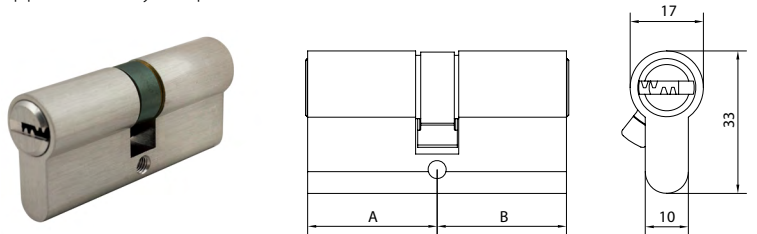
HUACI PROFILE CYLINDER

Euro Cylinder ECD Series

Available Models

Double Profile Cylinder

Application: Keyed operation from either side (inside or outside).

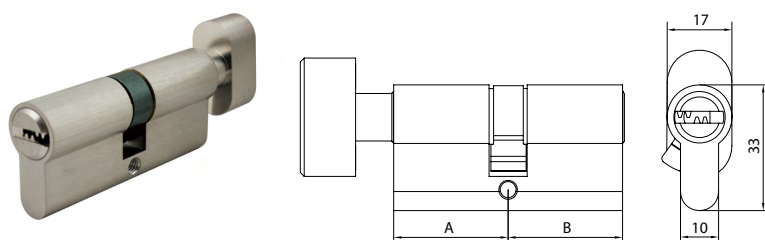


Item No.	A (30-60mm)	B (30-60mm)
ECD3030	30	30
ECD3035	30	35
ECD3535	35	35
ECD3540	35	40

* Dimensions in mm

Double Profile Cylinder with Thumb-turn

Application: Keyed operation from one side (outside) and thumb-turn operated from the other side (inside).

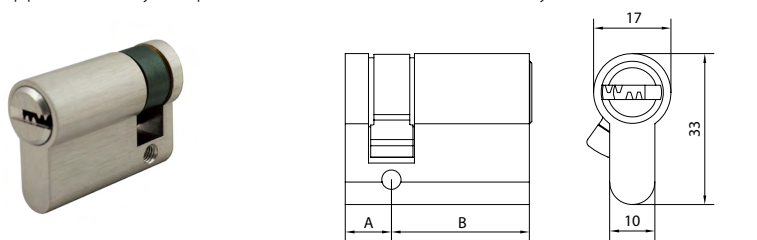


Item No.	A (30-60mm)	B (30-60mm)
ECD3030TK	30	30
ECD3035TK	30	35
ECD3535TK	35	35
ECD3540TK	35	40

* Dimensions in mm

Single Profile Cylinder

Application: Keyed operation from one side (outside) only.

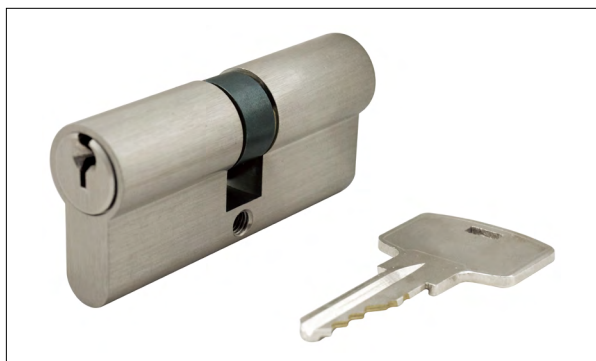


Item No.	A	B (30-60mm)
ECD1030	10	30
ECD1035	10	35
ECD1040	10	40
ECD1045	10	45

* Dimensions in mm

HUACI PROFILE CYLINDER

Euro Cylinder ECS Series

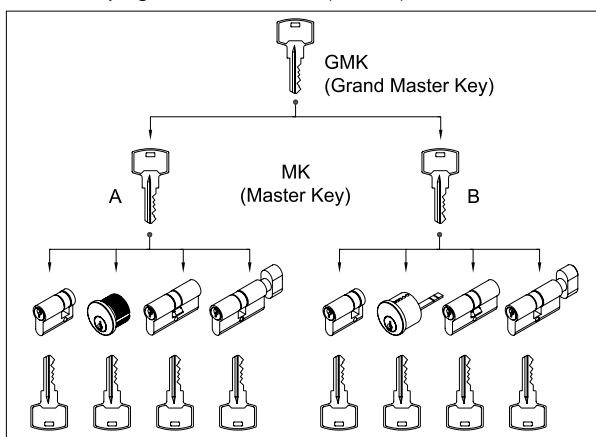


Application

HUACI ECS series cylinder is manageable euro cylinder with keying ability suitable for commercial or residential application with specific access requirement

Specifications and Features

- Standard euro profile dimension according to DIN18252
- Solid brass body and keys
- 5 or 6 pins constructions
- Various lengths available for different door thickness
- Symmetrical and asymmetrical variants available to work with different lock installation positions
- Optional anti-drill pins and anti-pick pins
- Enhanced attack resistance provided by HUACI security escutcheons
- Master keying service available upon request



EN1303:2005 Classification

1	6	0	1	0	C	5	2
---	---	---	---	---	---	---	---

Finishes

- Satin Nickel (SN)
- Nickel Plated (NP)
- Brass Polished (BP)
- Antique Brass (AB)

Standards and Certification



Successfully type-tested for conformity to all of the requirements of EN1303:2005

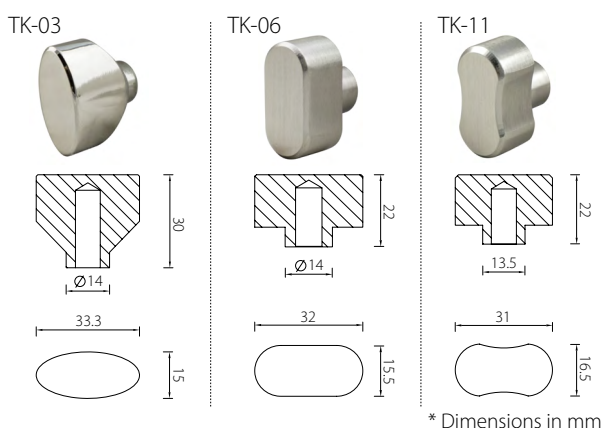


Successfully passed 240-minutes fire test of metal door assemblies to EN1634-1:2014



All test performed independently and certified by Exova/Warringtonfire/ Warrington APT. Test reports and/or certificates are available on request

Thumb-turn Options



* Dimensions in mm

Key Bow Options



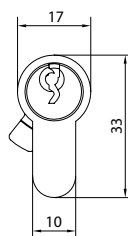
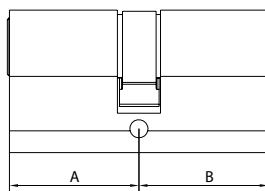
HUACI PROFILE CYLINDER

Euro Cylinder ECS Series

Available Models

Double Profile Cylinder

Application: Keyed operation from either side (inside or outside).

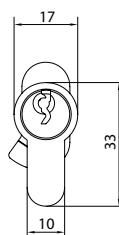
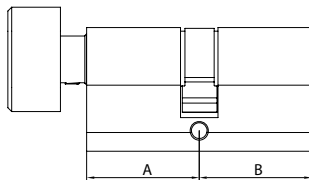


Item No.	A (30-60mm)	B (30-60mm)
ECS3030	30	30
ECS3035	30	35
ECS3535	35	35
ECS4040	40	40

* Dimensions in mm

Double Profile Cylinder with Thumb-turn

Application: Keyed operation from one side (outside) and thumb-turn operated from the other side (inside).

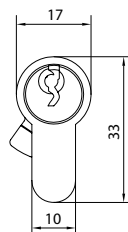
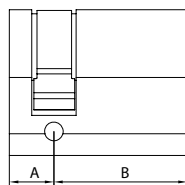


Item No.	A (30-60mm)	B (30-60mm)
ECS3030TK	30	30
ECS3035TK	30	35
ECS3535TK	35	35
ECS4040TK	40	40

* Dimensions in mm

Single Profile Cylinder

Application: Keyed operation from one side (outside) only.

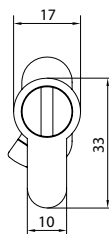
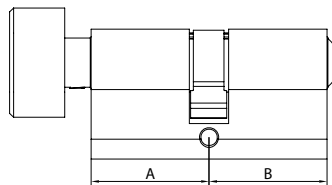


Item No.	A	B (30-60mm)
ECS1030	10	30
ECS1035	10	35
ECS1040	10	40
ECS1045	10	45

* Dimensions in mm

Privacy/Bathroom Cylinder

Application: Thumb-turn operated from inside and emergency release slot operated from outside



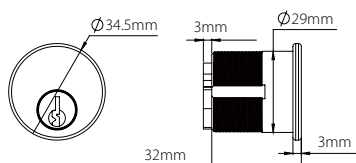
Item No.	A (30-60mm)	B (30-60mm)
ECS3030WC	30	30
ECS3035WC	30	35
ECS3540WC	35	40
ECS4045WC	40	45

* Dimensions in mm

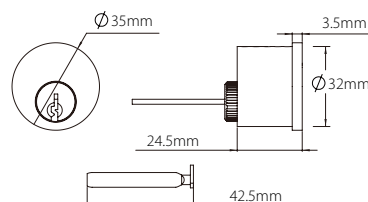
Related Products



AMC105



ARC105



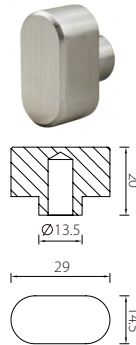
HUACI PROFILE CYLINDER

Euro Cylinder ECA Series

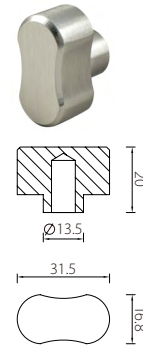


Thumb-turn Options

TK-07



TK-12



* Dimensions in mm

Application

HUACI ECA series cylinder is an economic euro cylinder range for light duty application

Specifications and Features

- Standard euro profile dimension according to DIN18252
- Aluminium cylinder housing and solid brass core
- Brass keys
- 5 pins design
- Various lengths available for different door thickness
- Symmetrical and asymmetrical variants available to work with different lock installation positions

Finishes

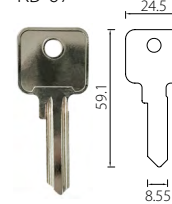
- Satin Nickel (SN)
- Nickel Plated (NP)
- Antique Brass (AB)
- Silver Anodized (F1)

Key Bow Options

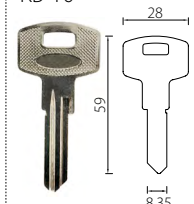
KB-53



KB-07



KB-10



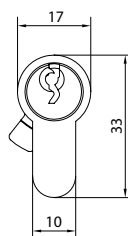
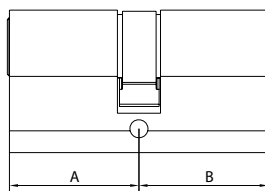
HUACI PROFILE CYLINDER

Euro Cylinder ECA Series

Available Models

Double Profile Cylinder

Application: Keyed operation from either side (inside or outside).

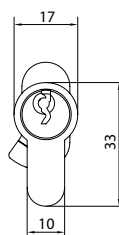
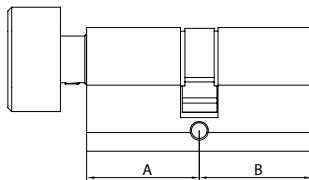


Item No.	A (30-60mm)	B (30-60mm)
ECA3030	30	30
ECA3035	30	35
ECA3535	35	35
ECA4040	40	40

* Dimensions in mm

Double Profile Cylinder with Thumb-turn

Application: Keyed operation from one side (outside) and thumb-turn operated from the other side (inside).

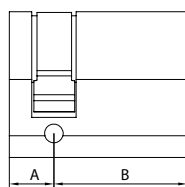


Item No.	A (30-60mm)	B (30-60mm)
ECA3030TK	30	30
ECA3035TK	30	35
ECA3535TK	35	35
ECA4040TK	40	40

* Dimensions in mm

Single Profile Cylinder

Application: Keyed operation from one side (outside) only.

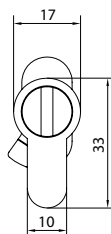
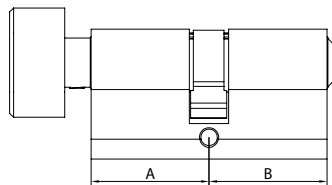


Item No.	A	B (30-60mm)
ECA1030	10	30
ECA1035	10	35
ECA1040	10	40
ECA1045	10	45

* Dimensions in mm

Privacy/Bathroom Cylinder

Application: Thumb-turn operated from inside and emergency release slot operated from outside

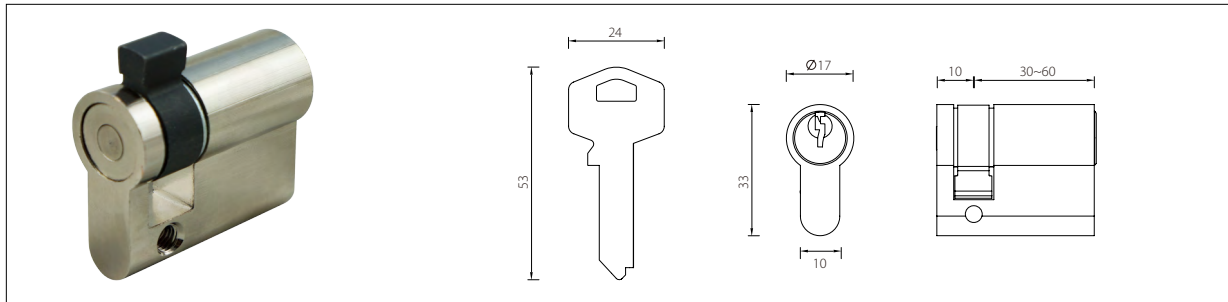


Item No.	A (30-60mm)	B (30-60mm)
ECA3030WC	30	30
ECA3035WC	30	35
ECA3540WC	35	40
ECA4045WC	40	45

* Dimensions in mm

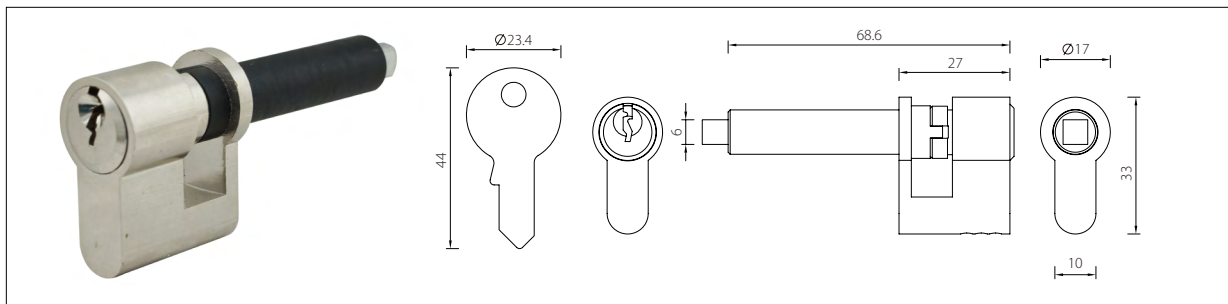
HUACI PROFILE CYLINDER

Euro single cylinder with adjustable cam ECS-AC Series



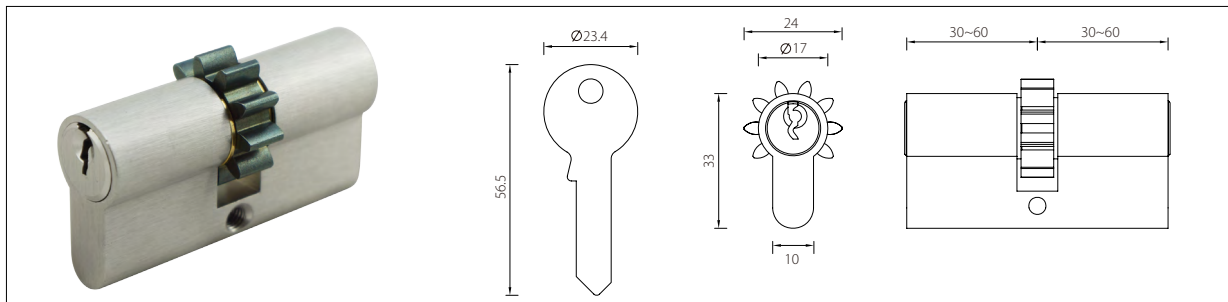
- Designed for application requiring a cam degree to be adjustable at locking position
- Full brass body / core / keys, 5 pins design
- 8 cam position adjustability from the back from the cylinder
- Finish Options: SN, PB, AB. Other finishes available upon request
- Standard 40mm model: ECS-AC1030

Euro single cylinder with spindle drive ECS-SD Series



- Designed for special application where cylinder key drive the spindle to operate a lock follower
- Full brass body / core / keys
- Finish Options: SN, PB, AB. Other finishes available upon request
- Standard 27mm model: ECS-SD1908

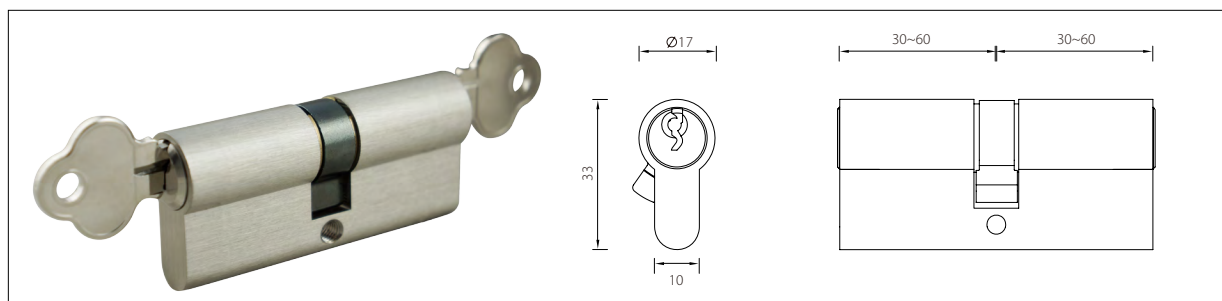
Euro Cylinder with Gear Cam ECS-GC Series



- Euro Profile Cylinder fitted with gear cam for specific lock function
- Finish Options: SN, PB, AB. Other finishes available upon request
- Size started from 30/30mm and Symmetrical and asymmetrical variants available
- Standard 60mm model: ECS-GC3030

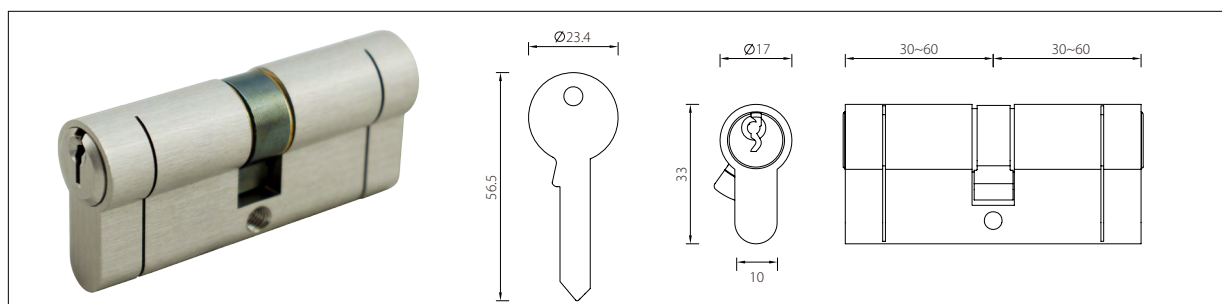
HUACI PROFILE CYLINDER

Euro Double Cylinder with emergency function ECS-EF Series



- Designed for emergency operation of key from side even if there is a key inserted from the other side of the cylinder
- Full brass body / core / keys
- Finish Options: SN, PB, AB. Other finishes available upon request
- Size starts from 30/30mm, Symmetrical and asymmetrical variants available
- Standard 60mm model: ECS-EF3030

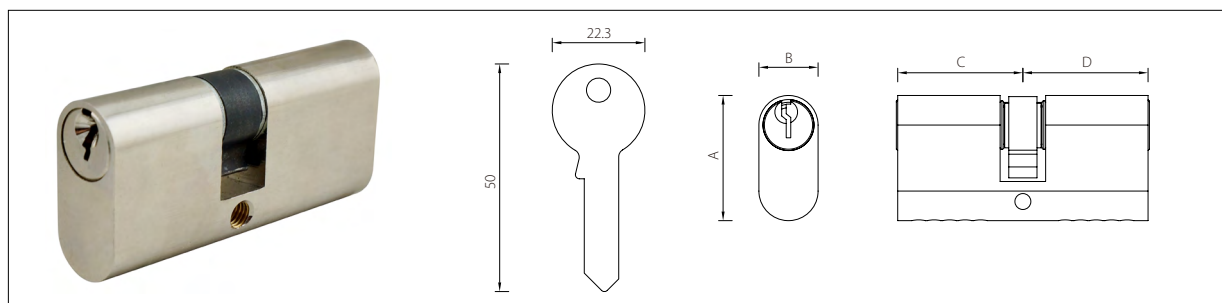
Euro Double Cylinder with Anti-Snap function ECS-AS Series



- Designed for entrance door requiring extra security by preventing illegal access achieved from breaking the cylinder with tempering.
- Finish Options: SN, PB, AB. Other finishes available upon request
- Size started from 30/30mm and Symmetrical and asymmetrical variants available
- Standard 60mm model: ECS-AS3030

HUACI PROFILE CYLINDER

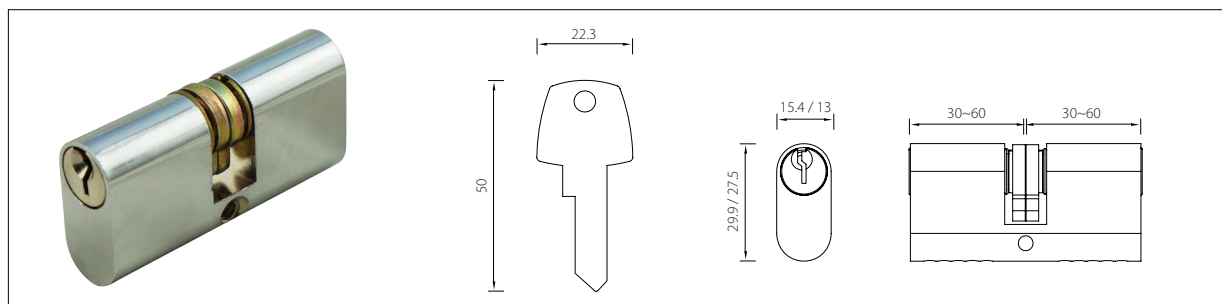
Brass Oval Cylinder OCS-B10 Series



- Solid Brass Body and Brass Core
- Brass Keys
- Single Cam design
- Standard finishes: Chrome Plated (CP), Satin Nickel (SN), Antique Brass (AB)

Item No.	A (mm)	B (mm)	C (mm)	D (mm)
OCS-B101	29.9	15.4	30 - 60	30 - 60
OCS-B102	27.8	12.8	30 - 60	30 - 60

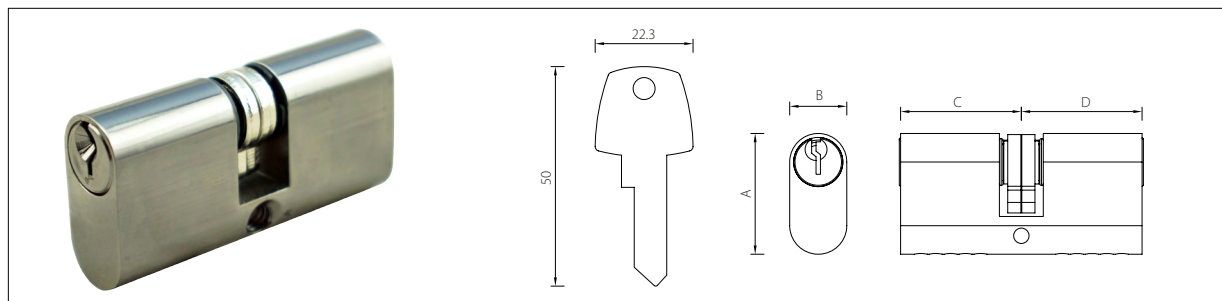
Brass Oval Cylinder OCS-B201



- Solid Brass Body and Brass Core
- Brass Keys
- Double Cam design for independent key operation from each side
- Standard finishes: Chrome Plated (CP), Satin Nickel (SN), Antique Brass (AB)

HUACI PROFILE CYLINDER

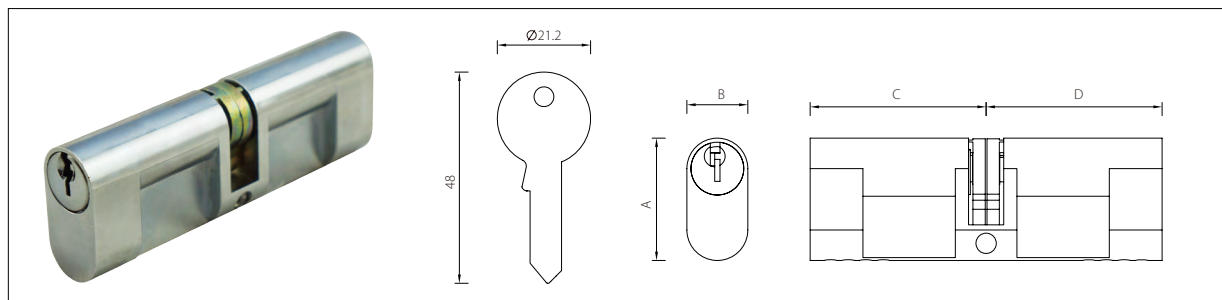
Zamak Oval Cylinder OCS-Z201



- Zamak Body and Zamak Core
- Brass Keys
- Double Cam design for independent key operation from each side
- Standard finishes: Chrome Plated (CP), Satin Nickel (SN), Antique Brass (AB)

Item NO.	A(mm)	B(mm)	C(mm)	D(mm)
OCS-Z201	25.9	12.9	26	26
OCS-Z202	27.8	12.6	27.5	27.5

Zamak Oval Cylinder OCS-Z30 Series

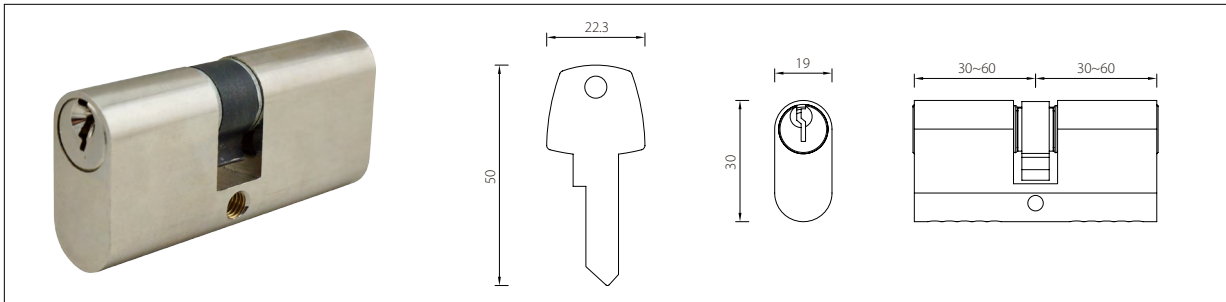


- Zamak Body and Zamak Core
- Brass Keys
- Double Cam design for independent key operation from each side
- Standard finishes: Chrome Plated (CP), Satin Nickel (SN), Antique Brass (AB)

Item No.	A (mm)	B (mm)	C (mm)	D (mm)
OCS-Z301	27.8	13.85	40	40
OCS-Z302	27	14	26.5	26.5
OCS-Z303	25.9	12.9	26	26

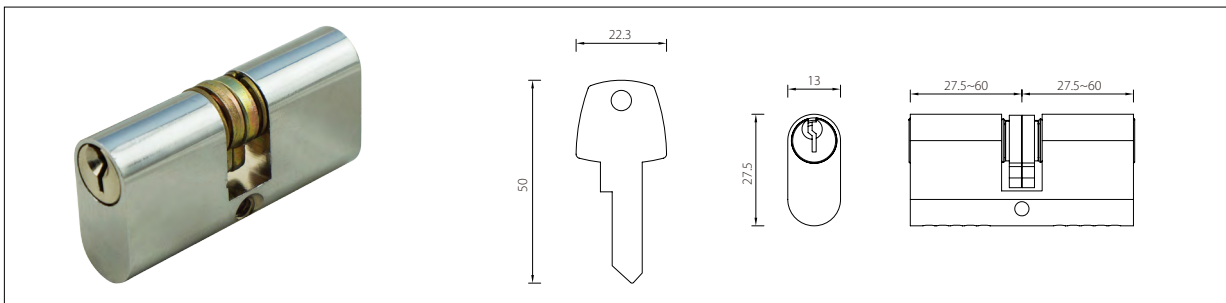
HUACI PROFILE CYLINDER

Aluminium Oval Cylinder OCS-A101



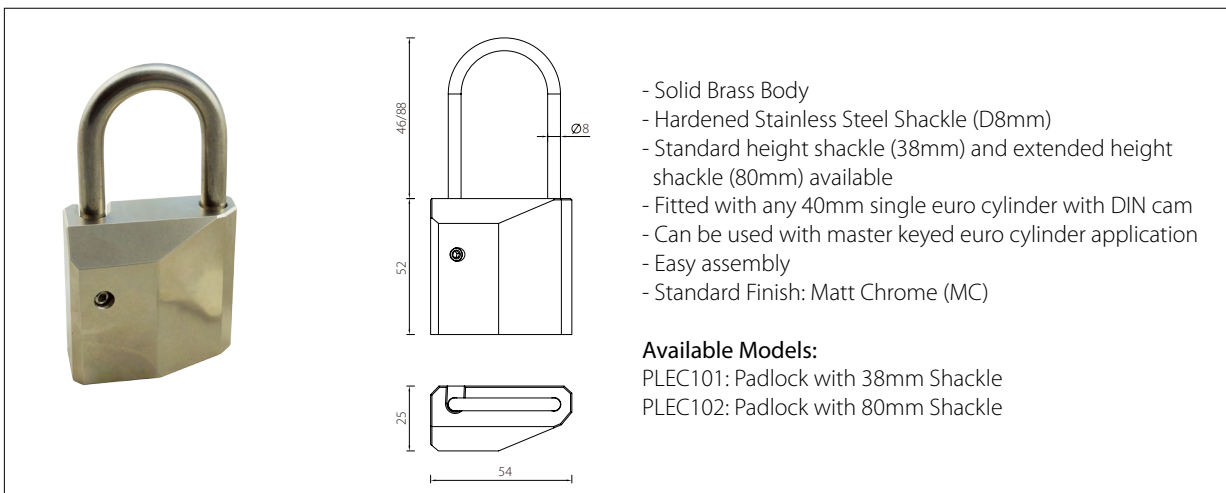
- Aluminium Body and Brass Core
- Brass Keys
- Single Cam Design
- Standard finishes: Silver Anodized (F1), Chrome Plated (CP), Satin Nickel (SN), Antique Brass (AB)

Aluminium Oval Cylinder OCS-A201



- Aluminium Body and Brass Core
- Brass Keys
- Double Cam design for independent key operation from each side
- Standard finishes: Silver Anodized (F1), Chrome Plated (CP), Satin Nickel (SN), Antique Brass (AB)

Padlock fitted with Euro Cylinder PLEC10 Series



- Solid Brass Body
- Hardened Stainless Steel Shackle (D8mm)
- Standard height shackle (38mm) and extended height shackle (80mm) available
- Fitted with any 40mm single euro cylinder with DIN cam
- Can be used with master keyed euro cylinder application
- Easy assembly
- Standard Finish: Matt Chrome (MC)

Available Models:

- PLEC101: Padlock with 38mm Shackle
- PLEC102: Padlock with 80mm Shackle

HUACI

HUACI Hardware Factory, Liansheng South Rd, Liangfeng Industrial
Zone, Xiaolan, Zhongshan, 528416, , P.R. CHINA

WhatsApp:+86-189 7534 8534

Website: <http://www.huacihardware.com>,

Email: sales@huacihardware.com