



HUACI

Cylinder Lock Set

Cylinder Lock Set

HUACI Hardware Cylinder Lock Set is designed for residential / light commercial application. With both Mortise lock and Euro Cylinder included in a single packaging, it gives the benefit of installation convenience and total compatibility

Key Features of HUACI Cylinder Lock Set:

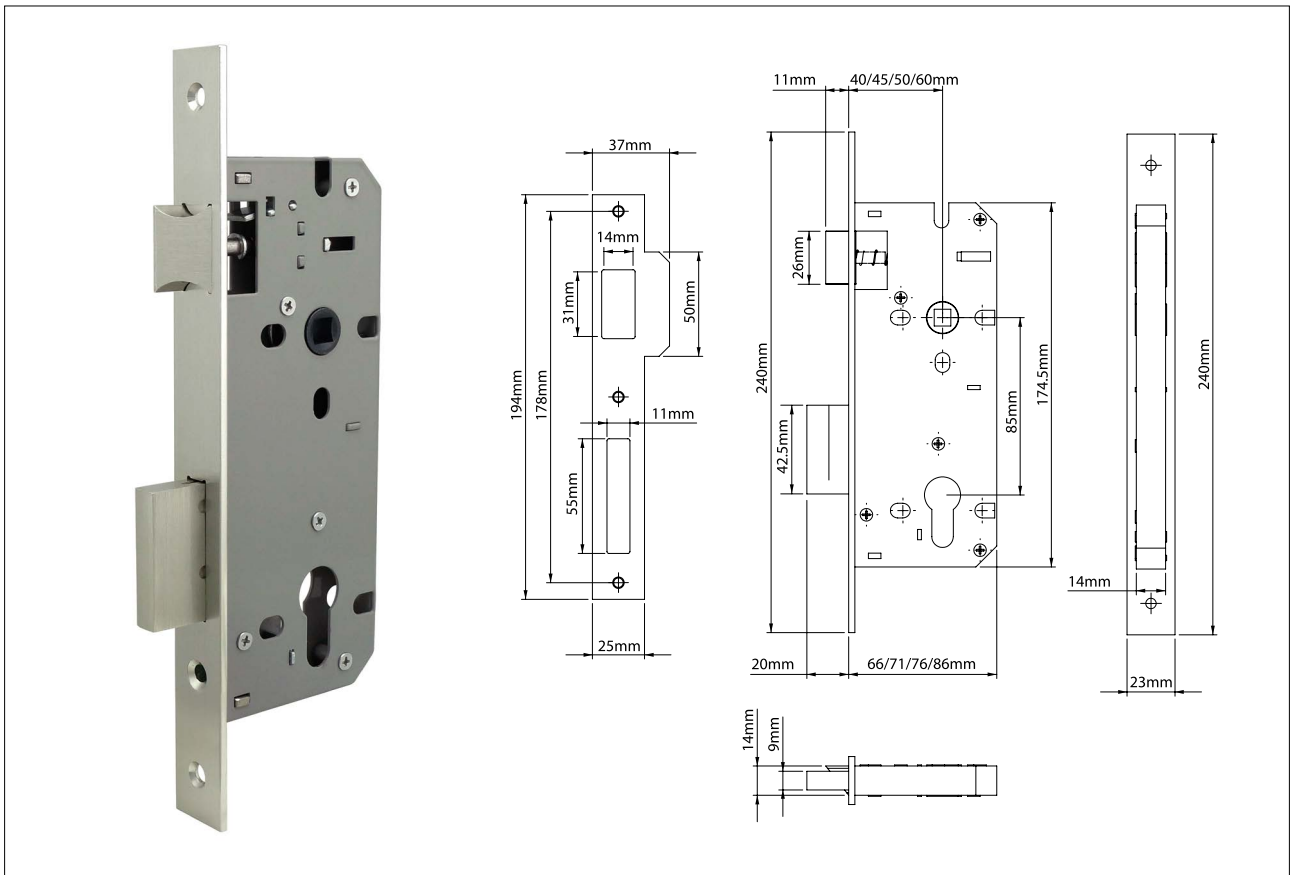
- Packed in a single HUACI box
- Cylinder size options for different door thickness*
- Various finish options
- Various mortice lock backset options
- Fully tested to relevant EN standards**

* Suitable for 35 – 48mm door thickness

** Mortise Lock tested to EN12209 and Cylinder tested to EN1303



HUACI Hardware



Finish Options (Forend / Strike):

- Satin Nickel (SN)
- Antique Brass (AB)
- Polished Brass (PB)
- Satin Stainless Steel (SS)

Backset Options:


40mm, 45mm, 50mm, 60mm


Specifications and Features:


- Tested to EN12209
- Durable Brass Latchbolt
- Solid Steel Deadbolt
- Sintered Steel Follower
- Forend and Strike available in Steel or Stainless Steel
- Easy reversible latchbolt for non-handed installation
- Double throw deadbolt for extra security
- Through bolt fixing holes for use with bolt through fixed lever on rose
- Close case design




HUACI Hardware

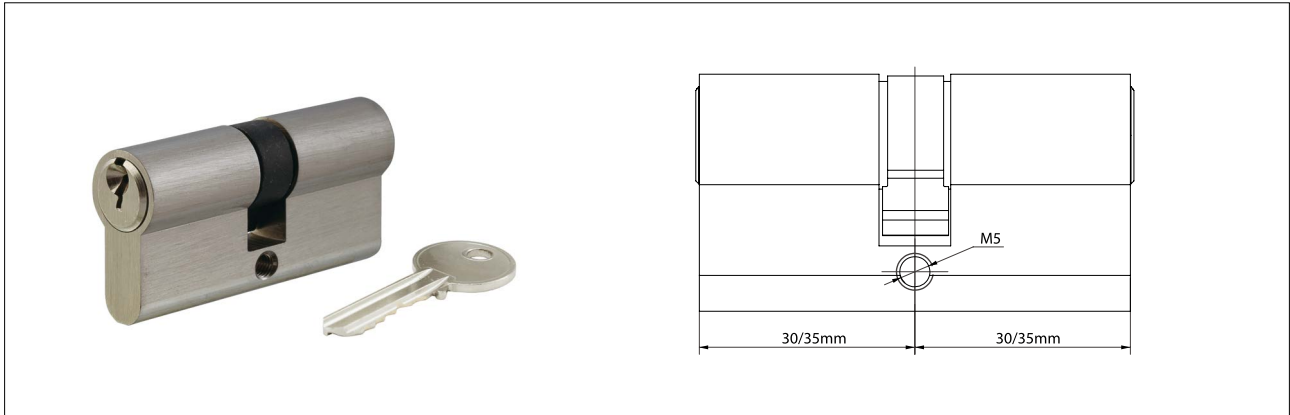
	Item No.	Backset	Description	Finish
	40SN	40mm	HUACI 85 x 40mm Mortise Lock, Satin Nickel	Satin Nickel (SN)
	45SN	45mm	HUACI 85 x 45mm Mortise Lock, Satin Nickel	Satin Nickel (SN)
	50SN	50mm	HUACI 85 x 50mm Mortise Lock, Satin Nickel	Satin Nickel (SN)
	60SN	60mm	HUACI 85 x 60mm Mortise Lock, Satin Nickel	Satin Nickel (SN)

	Item No.	Backset	Description	Finish
	40PB	40mm	HUACI 85 x 40mm Mortise Lock, Polished Brass	Polished Brass (PB)
	45PB	45mm	HUACI 85 x 45mm Mortise Lock, Polished Brass	Polished Brass (PB)
	50PB	50mm	HUACI 85 x 50mm Mortise Lock, Polished Brass	Polished Brass (PB)
	60PB	60mm	HUACI 85 x 60mm Mortise Lock, Polished Brass	Polished Brass (PB)

	Item No.	Backset	Description	Finish
	40AB	40mm	HUACI 85 x 40mm Mortise Lock, Antique Brass	Antique Brass (AB)
	45AB	45mm	HUACI 85 x 45mm Mortise Lock, Antique Brass	Antique Brass (AB)
	50AB	50mm	HUACI 85 x 50mm Mortise Lock, Antique Brass	Antique Brass (AB)
	60AB	60mm	HUACI 85 x 60mm Mortise Lock, Antique Brass	Antique Brass (AB)

	Item No.	Backset	Description	Finish
	40SS	40mm	HUACI 85 x 40mm Mortise Lock, Satin Stainless Steel	Satin Stainless Steel (SS)
	45SS	45mm	HUACI 85 x 45mm Mortise Lock, Satin Stainless Steel	Satin Stainless Steel (SS)
	50SS	50mm	HUACI 85 x 50mm Mortise Lock, Satin Stainless Steel	Satin Stainless Steel (SS)
	60SS	60mm	HUACI 85 x 60mm Mortise Lock, Satin Stainless Steel	Satin Stainless Steel (SS)

HUACI Hardware



Finish Options:

- Satin Nickel (SN)
- Antique Brass (AB)
- Polished Brass (PB)

Available Function:



Specifications and Features:

- EN1303 tested
- Brass body and housing for durable application
- 5 pins construction
- 3 x Solid Brass Keys
- Available in 60mm (30/30mm) and 70mm (35mm/35mm) to cover most common door thickness (35mm – 48mm)
- Available only with key differ and packed with the HUACI Mortise Lock

Exova Warrington
 The Industrial Park
 Farnside Road
 Warrington
 Warrington, Cheshire
 Warrington, Cheshire

T: +44 (0) 1852 721212
 F: +44 (0) 1852 721292
 E: info@exova.com
 W: www.exova.com

EXOVA
 Warrington

Testing, Advising, Assuring.

SUMMARY OF RESULTS

This is to certify that samples of: **UN-EC Series fitted with UN-SES52-CP Security Escutcheon**
 Manufactured by: **HUACI Hardware**
 Have been successfully type tested in accordance with:

EN 1303:2005 - Building hardware - Cylinders for locks

Classification achieved

Category	Quality	Size	Pin	Pin	Pin	Pin	Pin	Pin	Pin
1	G	D	D	D	D	C	S	S	2

By the examination and application of the performance tests for: -

- 4.2 Key strength
- 4.3 Durability
- 4.7.1 Corrosion resistance
- 4.7.2 Operation at extremes of temperature
- 4.8.2 Minimum number of effective dithers
- 4.8.3 Minimum number of removable dethiers
- 4.8.4 Maximum number of identical steps
- 4.8.5 Correct coding on key
- 4.8.6 Operation of security mechanism
- 4.8.7 Torque resistance of plug and/or cylinder (key security)
- 4.9.1 Resistance to attack by drill - grade 2 (tested without security escutcheon fitted)
- 4.9.2 Resistance to attack by chisel - grade 2
- 4.9.3 Resistance to attack by twisting - grade 2
- 4.9.4 Resistance to attack by plug/keybar extraction - grade 2
- 4.9.5 Torque resistance of plug/keybar relevant to attack resistance - grade 2 (tested without security escutcheon fitted)
- 7 Marking

This summary accompanies and must be used only in conjunction with Test Report number: 307438

Summary prepared by
N. Pilsbury
 Senior Test Engineer

Approved by
S. Wilkes
 Deputy Manager

UKAS
0621

* For and on behalf of Exova Warrington.


Date issued: 16th June 2011 Issue 1


Testing carried out by Exova Warrington Laboratories Ltd
 At Key Industrial Park, Farnside Rd, Warrington, West Midlands, WV13 3YA


Page 1 of 1

Page 4 of 10: Issue 01/01/2011, Location Industrial Park, Warrington, Warrington, Warrington, Warrington, Warrington, Warrington, Warrington, Warrington, Warrington

HUACI Hardware

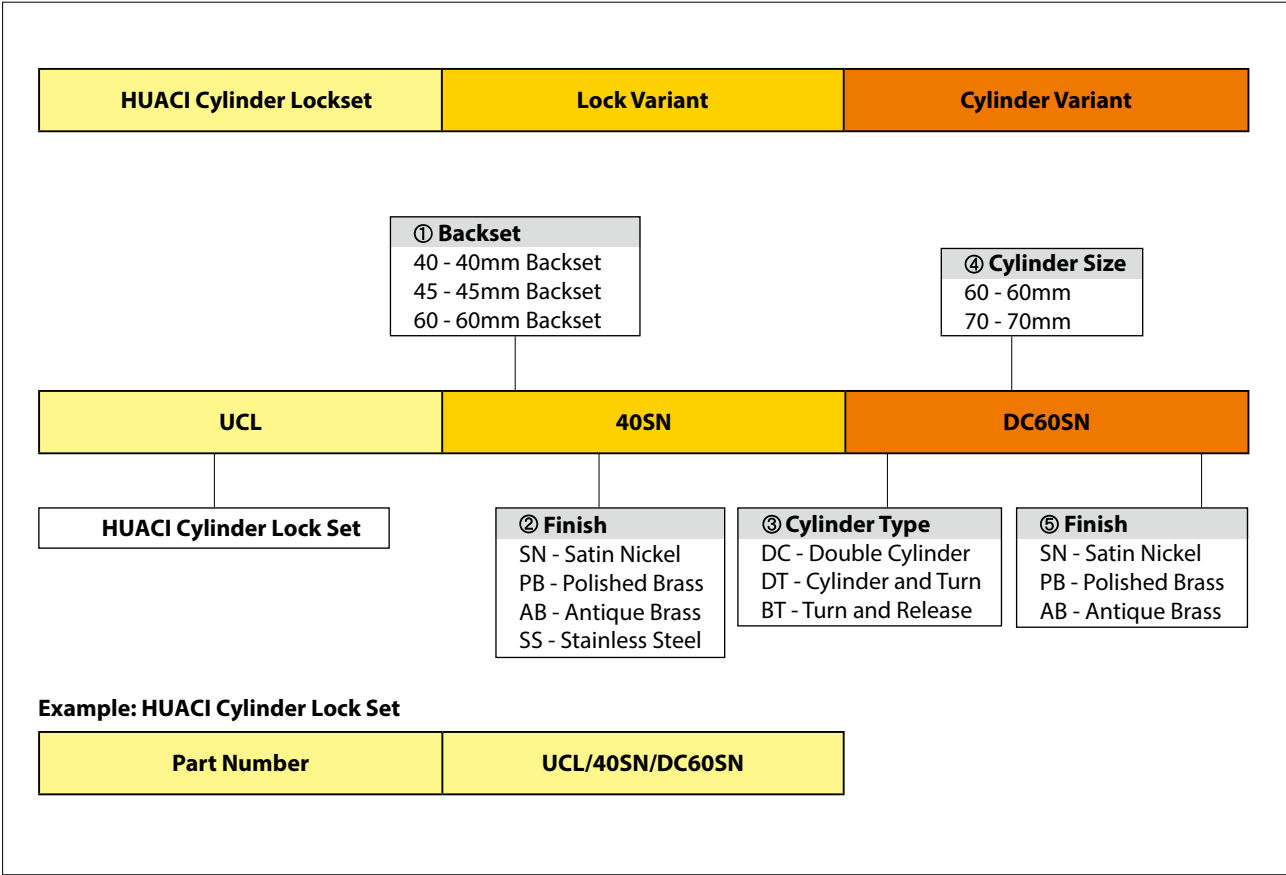
	Item No.	Description	Finish
	DC60SN	HUACI Euro Double Cylinder Key and Key (30/30mm), Satin Nickel	Satin Nickel (SN)
	DT60SN	HUACI Euro Double Cylinder Key and Turn (30/30mm) , Satin Nickel	Satin Nickel (SN)
	BT60SN	HUACI Euro Double Cylinder, Turn and Release (30/30mm), Satin Nickel	Satin Nickel (SN)
	DC70SN	HUACI Euro Double Cylinder Key and Key (35/35mm), Satin Nickel	Satin Nickel (SN)
	DT70SN	HUACI Euro Double Cylinder Key and Turn (35/35mm), Satin Nickel	Satin Nickel (SN)
	BT70SN	HUACI Euro Double Cylinder, Turn and Release (35/35mm), Satin Nickel	Satin Nickel (SN)

	Item No.	Description	Finish
	DC60PB	HUACI Euro Double Cylinder Key and Key (30/30mm), Polished Brass	Polished Brass (PB)
	DT60PB	HUACI Euro Double Cylinder Key and Turn (30/30mm), Polished Brass	Polished Brass (PB)
	BT60PB	HUACI Euro Double Cylinder, Turn and Release (30/30mm), Polished Brass	Polished Brass (PB)
	DC70PB	HUACI Euro Double Cylinder Key and Key (35/35mm), Polished Brass	Polished Brass (PB)
	DT70PB	HUACI Euro Double Cylinder Key and Turn (35/35mm), Polished Brass	Polished Brass (PB)
	BT70PB	HUACI Euro Double Cylinder, Turn and Release (35/35mm), Polished Brass	Polished Brass (PB)

	Item No.	Description	Finish
	DC60AB	HUACI Euro Double Cylinder Key and Key (30/30mm), Antique Brass	Antique Brass (AB)
	DT60AB	HUACI Euro Double Cylinder Key and Turn (30/30mm), Antique Brass	Antique Brass (AB)
	BT60AB	HUACI Euro Double Cylinder, Turn and Release (30/30mm), Antique Brass	Antique Brass (AB)
	DC70AB	HUACI Euro Double Cylinder Key and Key (35/35mm), Antique Brass	Antique Brass (AB)
	DT70AB	HUACI Euro Double Cylinder Key and Turn (35/35mm), Antique Brass	Antique Brass (AB)
	BT70AB	HUACI Euro Double Cylinder, Turn and Release (35/35mm), Antique Brass	Antique Brass (AB)

HUACI Hardware

HUACI Cylinder Lock Set Ordering Procedure



HUACI Hardware



HUACI

HUACI Hardware Factory, Liansheng South Rd, Liangfeng Industrial
Zone, Xiaolan, Zhongshan, 528416, , P.R. CHINA
WhatsApp:+86-189 7534 8534
Website: <http://www.huacihardware.com>,
Email: sales@huacihardware.com